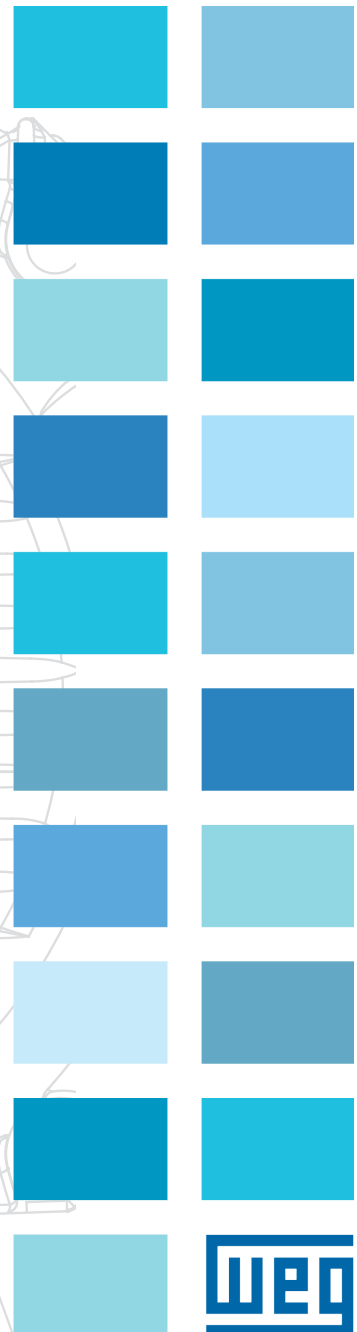
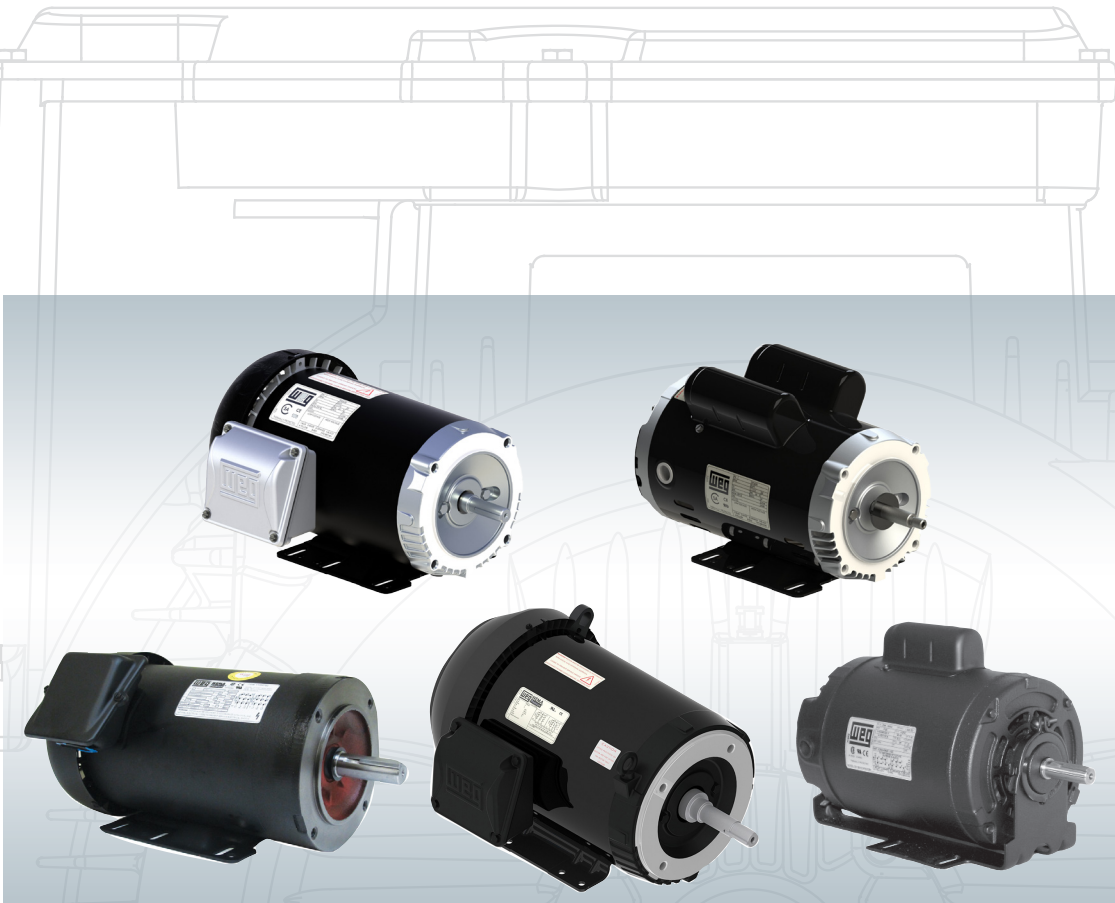


# WEG Rolled Steel Line

## 2015 Motor Catalog



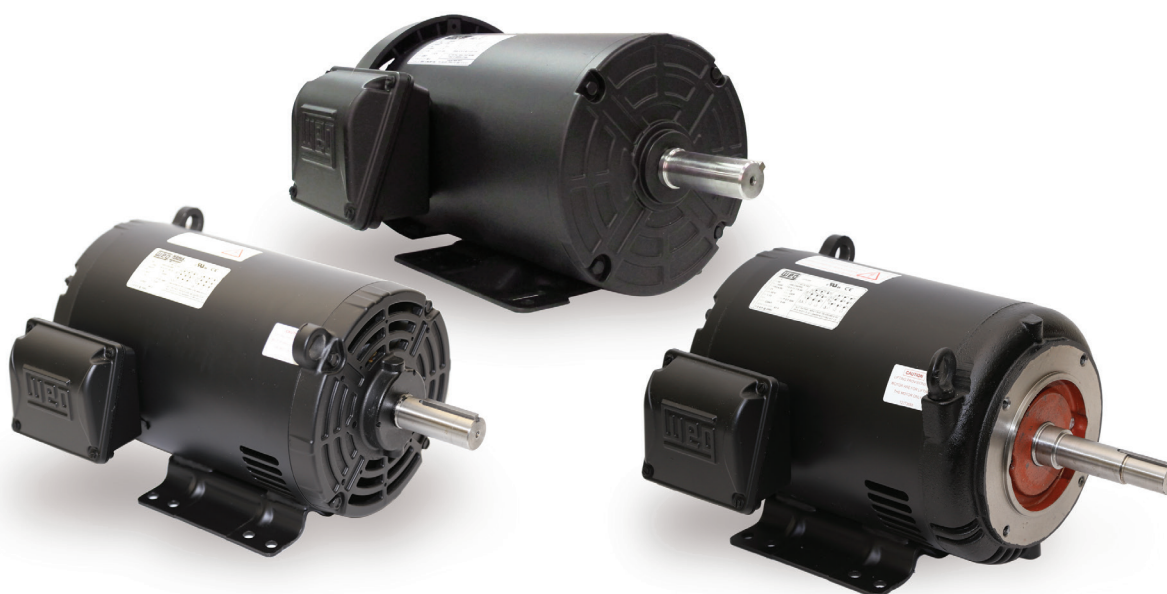
# WEG Rolled Steel Line

Great WEG quality and flexibility in a new LIGHTER frame

Investing over 2.5% of our revenue in R&D for electric motors every year, WEG takes pride in engineering and manufacturing motors that run cooler, last longer, and are easy to install and maintain.

Available in Open Drip and Totally Enclosed designs our WEG Rolled Steel line is the perfect example of these efforts.

A product line with superior features that make a big difference for our customers.



## Features that make a difference:

- Dual rated for 60 Hz and 50 Hz @ 190-220/380-415 V
- Optimized ventilation system for cooler operation
- Robust feet design for the toughest applications
- Frames 182/4T and larger have two eyebolts for easy mounting in any position
- Oversized diagonally split aluminum terminal box that exceeds IP55 requirements (Ideal for easy installation and tough environments)
- Terminal box is rotatable in 90 degrees increments for easy installation
- AEGIS® ring inside (optional) to extend bearing life when used with VFDs
- IP55 ingress protection is standard
- Suitable for VFD operation per NEMA MG1 part 31.4.4.2
- Color coded leads for easy installation
- Motor paint resistance exceeds 500 hours of salt spray test



## **C-Face/General Purpose Motors**

### **Single-Phase General Purpose Motors - C-Face**

TEFC- Foot Mount .....	A-4
TEFC- Footless .....	A-5
ODP- Foot Mount .....	A-6
ODP- Footless .....	A-7

### **Three-Phase General Purpose Motors - C-Face**

TEFC- Foot Mount .....	A-8
TEFC- Footless .....	A-10
TEFC- Foot Mount with internal AEGIS® SGR .....	A-12
ODP- Foot Mount .....	A-13
ODP- Footless .....	A-16
ODP- Foot Mount with internal AEGIS® SGR .....	A-17

## **Foot Mount/General Purpose Motors**

### **Single-Phase General Purpose Motors**

TEFC- Foot Mount .....	A-18
ODP- Foot Mount .....	A-19
ODP - Resilient Base .....	A-21

### **Three-Phase General Purpose Motors**

TEFC- Foot Mount .....	A-22
TEFC- Foot Mount with internal AEGIS® SGR .....	A-24
ODP- Foot Mount .....	A-26
ODP- Foot Mount with internal AEGIS® SGR .....	A-29
ODP- Resilient Base .....	A-30

## **Pump Motors**

### **Jet Pump Single-Phase (56C/56J Frames)**

TEFC- Foot Mount .....	A-31
TEFC- Footless .....	A-31
ODP- Foot Mount .....	A-32
ODP- Footless .....	A-32

### **Jet Pump Three-Phase (56C/56J Frames)**

TEFC- Foot Mount .....	A-33
TEFC- Footless .....	A-33
ODP- Foot Mount .....	A-34
ODP- Footless .....	A-34

### **Close-Coupled Pump Motors - Three Phase**

JM- TEFC - Foot Mount .....	A-35
JP- TEFC - Foot Mount .....	A-37
JM- ODP- Foot Mount .....	A-39
JP- ODP - Foot Mount .....	A-41
JM- ODP-Footless Vertical .....	A-43
JP- ODP-Footless Vertical .....	A-44
JM- ODP with internal AEGIS® SGR .....	A-45
JP- ODP with internal AEGIS® SGR .....	A-46

# C-Face General Purpose Motors



## SINGLE-PHASE

### TEFC - Foot Mount

HP	KW	RPM	Frame Size	Catalog Number	List Price	Mult. Symbol	Approx. Shipping Weight (lbs)	Service Factor	FL Amps @ High	FL Eff. (%)	"C" Dimension (in)	Voltage (V)	Notes
0.25	0.18	3600	B56C	.2536ES1BB56C	280	F1	31	1.15	2.3	50	11.102	115/208-230	9
		1800	B56C	.2518ES1BB56C	288	F1	33	1.15	2.35	57.7	11.102	115/208-230	9
0.33	0.25	3600	B56C	.3336ES1BB56C	288	F1	36	1.15	2.85	53	11.102	115/208-230	9
		3600	W56C	.3336ES1BW56C-S	288	F1	36	1.15	2.6	54	11.102	115/208-230	9
		1800	B56C	.3318ES1BB56C	304	F1	36	1.15	2.8	61	11.102	115/208-230	9
0.5	0.37	3600	B56C	.5036ES1BB56C	313	F1	40	1.15	3.8	58	11.102	115/208-230	9
		1800	B56C	.5018ES1BB56C	333	F1	41	1.15	3.7	66.5	11.102	115/208-230	9
		1800	B56C	.5018ES1B0B56C	348	F1	41	1.15	3.7	66.5	11.102	115/208-230	9
		1800	W56C	.5018ES1BW56C-S	333	F1	41	1.15	4	64	11.894	115/208-230	9
		1200	D56C	.5012ES1BD56C	535	F1	41	1.15	3.6	71	12.283	115/208-230	9
0.75	0.55	3600	56C	.7536ES1B56C-S	353	F1	41	1.15	4	66	12.721	115/208-230	9
		3600	B56C	.7536ES1BB56C	353	F1	41	1.15	5.2	64	11.102	115/208-230	9
		1800	56C	.7518ES1B56C-S	370	F1	46	1.15	5.3	68.5	13.114	115/208-230	9
		1800	B56C	.7518ES1BB56C	370	F1	46	1.15	5.3	68.5	11.102	115/208-230	9
		1200	F56HC	.7512ES1BF56C	669	F1	56	1.15	5	71	13.464	115/208-230	9
1	0.75	3600	D56C	00136ES1BD56C	378	F1	46	1.15	6.4	67	12.283	115/208-230	9
		1800	56C	00118ES1B56C-S	424	F1	52	1.15	6.8	71	13.114	115/208-230	9
		1800	D56C	00118ES1BD56C	424	F1	52	1.15	7	70.3	12.283	115/208-230	9
		1800	D56C	00118ES1B0D56C	439	F1	52	1.15	7	70.3	12.283	115/208-230	9
1.5	1.1	3600	D56C	00156ES1BD56C	454	F1	56	1.15	8.55	70	12.283	115/208-230	9
		1800	F56HC	00158ES1BF56C	478	F1	58	1.15	8.7	76.5	13.464	115/208-230	9
		1800	F56HC	00158ES1B0F56C	493	F1	58	1.15	8.7	76.5	13.464	115/208-230	9
2	1.5	3600	F56HC	00236ES1BF56C	537	F1	65	1.15	10	74	13.464	115/208-230	9
		1800	G142/5TC	00218ES1B145TC	643	W1	68	1.15	10.5	78.1	14.882	115/208-230	9
3	2.2	3600	G143/5T	00336ES1E145TC	858	W1	66	1.15	6.00	84	14.882	208-230/460	9

Please refer to back cover for description of "NOTES"

For detailed specifications, data sheets, drawings and performance curves visit <http://catalog.wegelectric.com>

Data subject to change without notice.



# C-Face General Purpose Motors

## SINGLE-PHASE

### TEFC - Footless

HP	KW	RPM	Frame Size	Catalog Number	List Price	Mult. Symbol	Approx. Shipping Weight (lbs)	Service Factor	FL Amps @ High	FL Eff. (%)	"C" Dimension (in)	Voltage (V)	Notes
0.33	0.25	3600	B56C	.3336ES1BB56CFL	288	F1	36	1.15	2.85	53	11.102	115/208-230	9;20
		1800	B56C	.3318ES1BB56CFL	304	F1	36	1.15	2.8	61	11.102	115/208-230	9;20
0.5	0.37	3600	B56C	.5036ES1BB56CFL	313	F1	40	1.15	3.8	58	11.102	115/208-230	9;20
		1800	B56C	.5018ES1BB56CFL	333	F1	41	1.15	3.7	66.5	11.102	115/208-230	9;20
		1200	D56C	.5012ES1BD56CFL	535	F1	44	1.15	3.6	71	12.283	115/208-230	9;20
0.75	0.55	3600	B56C	.7536ES1BB56CFL	353	F1	41	1.15	5.2	64	11.102	115/208-230	9;20
		1800	56C	.7518ES1B56CFL-S	370	F1	46	1.15	5.3	68.5	13.114	115/208-230	9;20
		1800	B56C	.7518ES1BB56CFL	370	F1	46	1.15	5.3	68.5	11.102	115/208-230	9;20
		1200	F56C	.7512ES1BF56CFL	669	F1	56	1.15	5	71	13.464	115/208-230	9;20
1	0.75	3600	D56C	00136ES1BD56CFL	378	F1	46	1.15	6.4	67	12.283	115/208-230	9;20
		1800	D56C	00118ES1BD56CFL	424	F1	52	1.15	7	70.3	12.283	115/208-230	9;20
1.5	1.1	3600	D56C	00156ES1BD56CFL	454	F1	56	1.15	8.55	70	12.283	115/208-230	9;20
		1800	F56C	00158ES1BF56CFL	478	F1	58	1.15	8.7	76.5	13.464	115/208-230	9;20
2	1.5	3600	F56C	00236ES1BF56CFL	537	F1	65	1.15	10	74	13.464	115/208-230	9;20

Please refer to back cover for description of "NOTES"

For detailed specifications, data sheets, drawings and performance curves visit <http://catalog.wegelectric.com>

Data subject to change without notice.

# C-Face General Purpose Motors



## SINGLE-PHASE

### ODP - Foot Mount

HP	KW	RPM	Frame Size	Catalog Number	List Price	Mult. Symbol	Approx. Shipping Weight (lbs)	Service Factor	FL Amps @ High	FL Eff. (%)	"C" Dimension (in)	Voltage (V)	Notes		
0.12	0.09	1800	B48C	.12180S1BB48C	222	F1B	17	1.4	1.6	48.1	9.252	115/208-230	9		
		3600	48C	.16360S1B48C-S	237	F1B	17	1.35	1.4	53	9.492	115/208-230	9		
		3600	B48C	.16360S1BB48C	237	F1B	17	1.35	1.55	49.9	9.252	115/208-230	9		
		1800	48C	.16180S1B48C-S	231	F1B	17	1.35	1.7	53	9.492	115/208-230	9		
		1800	B48C	.16180S1BB48C	231	F1B	17	1.35	1.85	50.3	9.252	115/208-230	9		
0.16	0.12	1800	B48C	.16180S1BSPB48C	247	F1B	19	1.35	1.9	49.9	9.252	115/208-230	9;16		
		3600	56C	.25360S1B56C	241	F1B	19	1.35	2.15	54.7	9.646	115/208-230	9		
		3600	W56C	.25360T1BW56C-S	281	F2B	19	1.35	1.25	66.6	9.866	115/208-230	9		
		3600	B48C	.25360S1BB48C	241	F1B	19	1.35	2.15	54.7	9.252	115/208-230	9		
		3600	48C	.25360T1B48C-S	277	F2B	19	1.35	1.25	66.6	9.492	115/208-230	9		
0.25	0.18	1800	56C	.25180S1B56C	233	F1B	19	1.35	2.65	55.9	9.646	115/208-230	9		
		1800	B48C	.25180S1BB48C	233	F1B	19	1.35	2.65	55.9	9.252	115/208-230	9		
		1800	B48C	.25180S1BSPB48C	263	F1B	20	1.35	2.4	59.5	9.252	115/208-230	9;16		
		1800	48C	.25180T1B48C-S	269	F2B	19	1.35	1.6	68.5	9.492	115/208-230	9		
		1800	W56C	.25180T1BW56C-S	269	F2B	19	1.35	1.6	68.5	9.866	115/208-230	9		
		3600	C48C	.33360S1BC48C	244	F1B	22	1.35	2.85	57.6	10.197	115/208-230	9		
		3600	48C	.33360T1B48C-S	282	F2B	22	1.35	1.6	70.5	9.886	115/208-230	9		
		3600	C56C	.33360S1BC56C	244	F1B	22	1.35	2.85	57.6	10.551	115/208-230	9		
0.33	0.25	3600	W56C	.33360T1BW56C-S	285	F2B	22	1.35	1.6	70.5	10.26	115/208-230	9		
		1800	C48C	.33180S1BC48C	258	F1B	22	1.35	3.11	58.6	10.197	115/208-230	9		
		1800	C48C	.33180S1BSPC48C	282	F1B	22	1.35	3.13	60	10.197	115/208-230	9;16		
		1800	48C	.33180T1B48C-S	274	F2B	22	1.35	2.1	72.4	9.886	115/208-230	9		
		1800	C56C	.33180S1BC56C	258	F1B	22	1.35	3.3	58.2	10.551	115/208-230	9		
		1800	W56C	.33180T1BW56C-S	303	F2B	22	1.35	2.1	72.4	10.26	115/208-230	9		
		3600	C48C	.50360S1BC48C	258	F1B	24	1.25	3.6	64.4	10.197	115/208-230	9		
		3600	48C	.50360T1B48C-S	300	F1B	24	1.25	2.4	72.4	9.886	115/208-230	9		
0.5	0.37	3600	C56C	.50360S1BC56C	266	F1B	24	1.25	3.6	64.4	10.551	115/208-230	9		
		3600	W56C	.50360T1BW56C-S	310	F1B	24	1.25	2.4	72.4	10.26	115/208-230	9		
		1800	C48C	.50180S1BSPC48C	300	F1B	24	1.25	4	63.5	10.197	115/208-230	9		
		1800	C48CH	.50180S1BC48CH	296	F1B	24	1.25	4.25	61.7	10.197	115/208-230	9		
		1800	C56C	.50180S1BC56C	286	F1B	24	1.25	4.25	61.7	10.551	115/208-230	9		
		1800	C56C	.50180S1B0C56C	301	F1B	24	1.25	4.25	61.7	10.551	115/208-230	9		
		1800	W56C	.50180T1BOW56C-S	352	F1B	24	1.25	2.75	76.2	10.654	115/208-230	9		
		1800	W56C	.50180T1BW56C-S	335	F1B	24	1.25	2.75	76.2	10.654	115/208-230	9		
		0.75	0.55	3600	B56C	.75360S1BB56C	297	F1B	32	1.25	5.25	67.2	11.102	115/208-230	9
				3600	56C	.75360T1B56C-S	348	F1B	32	1.25	3.4	76.2	11.89	115/208-230	9
1800	D56C			.75180S1BD56C	349	F1B	36	1.25	5.4	66.7	12.283	115/208-230	9		
1800	56C			.75180T1B56C-S	415	F1B	36	1.25	3.4	81.8	11.89	115/208-230	9		

continued on next page

Please refer to back cover for description of "NOTES"

For detailed specifications, data sheets, drawings and performance curves visit <http://catalog.wegelectric.com>

Data subject to change without notice.



# C-Face General Purpose Motors

## SINGLE-PHASE

### ODP - Foot Mount - *continued*

HP	KW	RPM	Frame Size	Catalog Number	List Price	Mult. Symbol	Approx. Shipping Weight (lbs)	Service Factor	FL Amps @ High	FL Eff. (%)	"C" Dimension (in)	Voltage (V)	Notes
1	0.75	3600	D56C	001360S1BD56C	317	F1B	36	1.25	6.8	66.3	12.283	115/208-230	9
		3600	56C	001360T1B56C-S	375	F1B	36	1.25	4.3	80.4	11.89	115/208-230	9
		1800	D56C	001180S1BD56C	378	F1B	39	1.15	7	71.4	12.283	115/208-230	9
		1800	56C	001180T1B56C-S	449	F1B	39	1.15	4.5	82.6	12.677	115/208-230	9
1.5	1.1	3600	D56C	001560S1BD56C	355	F1B	40	1.15	8.9	70	12.283	115/208-230	9
		3600	56C	001560T1B56C-S	421	F1B	40	1.15	6.2	81.5	12.284	115/208-230	9
		1800	F56HC	001580S1BF56C	461	F1B	37	1.15	10.2	71.3	13.464	115/208-230	9
		1800	56HC	001580T1B56C-S	551	F1B	37	1.15	6.8	83.8	13.071	115/208-230	9
2	1.5	3600	F56HC	002360S1BF56C	432	F1B	41	1.15	11	77.9	13.464	115/208-230	9
		3600	56HC	002360T1B56C-S	513	F1B	41	1.15	8.4	82.9	12.677	115/208-230	9
		1800	G56HC	002180S1BG56C	544	F1B	43	1	14	71.4	13.858	115/208-230	1,9
		1800	56HC	002180T1B56C-S	654	F1B	43	1.15	9.3	84.5	13.858	115/208-230	1,9
3	2.2	3600	G56HC	003360S1BG56C	496	F1B	44	1	15.5	78	13.858	115/208-230	1,9
		3600	56HC	003360T1B56C-S	596	F1B	44	1.15	12.2	84.1	13.858	115/208-230	1,9

### ODP - Footless

HP	KW	RPM	Frame Size	Catalog Number	List Price	Mult. Symbol	Approx. Shipping Weight (lbs)	Service Factor	FL Amps @ High	FL Eff. (%)	"C" Dimension (in)	Voltage (V)	Notes
0.33	0.25	3600	C56C	.33360S1BC56CFL	244	F1B	22	1.35	2.85	57.6	10.551	115/208-230	9;20
		3600	W56C	.33360T1BW56CFL-S	285	F2B	22	1.35	1.6	70.5	10.26	115/208-230	9;20
		1800	C56C	.33180S1BC56CFL	258	F1B	22	1.35	3.3	58.2	10.551	115/208-230	9;20
		1800	W56C	.33180T1BW56CFL-S	303	F2B	22	1.35	2.1	72.4	10.26	115/208-230	9;20
0.5	0.37	3600	C56C	.50360S1BC56CFL	266	F1B	24	1.25	3.6	64.4	10.551	115/208-230	9;20
		3600	W56C	.50360T1BW56CFL-S	310	F2B	24	1.25	2.4	72.4	10.26	115/208-230	9
		1800	C56C	.50180S1BC56CFL	286	F1B	24	1.25	4.25	61.7	10.551	115/208-230	9;20
		1800	W56C	.50180T1BW56CFL-S	335	F2B	24	1.25	2.75	76.2	10.654	115/208-230	9;20
0.75	0.55	3600	B56C	.75360S1BB56CFL	297	F1B	32	1.25	5.25	67.2	11.102	115/208-230	9;20
		3600	56C	.75360T1B56CFL-S	348	F2B	32	1.25	3.4	76.2	11.89	115/208-230	9;20
		1800	D56C	.75180S1BD56CFL	349	F1B	36	1.25	5.4	66.7	12.283	115/208-230	9;20
		1800	56C	.75180T1B56CFL-S	415	F2B	36	1.25	3.4	81.8	11.89	115/208-230	9;20
1	0.75	3600	D56C	001360S1BD56CFL	317	F1B	36	1.25	6.8	66.3	12.283	115/208-230	9;20
		3600	56C	001360T1B56CFL-S	375	F2B	36	1.25	4.3	80.4	11.89	115/208-230	9;20
		1800	D56C	001180S1BD56CFL	378	F1B	39	1.15	7	71.4	12.283	115/208-230	9;20
		1800	56C	001180T1B56CFL-S	449	F2B	39	1.15	4.5	82.6	12.677	115/208-230	9;20
1.5	1.1	3600	D56C	001560S1BD56CFL	355	F1B	40	1.15	8.9	70	12.283	115/208-230	9;20
		3600	56C	001560T1B56CFL-S	421	F2B	40	1.15	6.2	81.5	12.284	115/208-230	9;20
		1800	F56C	001580S1BF56CFL	461	F1B	37	1.15	10.2	71.3	13.464	115/208-230	9;20
		1800	56HC	001580T1B56CFL-S	551	F2B	37	1.15	6.8	83.8	13.071	115/208-230	9
2	1.5	3600	F56C	002360S1BF56CFL	432	F1B	41	1.15	11	77.9	13.464	115/208-230	9;20
		3600	56C	002360T1B56CFL-S	513	F2B	41	1.15	8.4	82.9	12.677	115/208-230	9;20
		1800	G56C	002180S1BG56CFL	544	F1B	43	1	14	71.4	13.858	115/208-230	1,9;20
		1800	56C	002180T1B56CFL-S	654	F2B	43	1.15	9.3	84.5	13.858	115/208-230	1,9;20
3	2.2	3600	G56C	003360S1BG56CFL	496	F1B	44	1	15.5	78	13.858	115/208-230	1,9;20
		3600	56C	003360T1B56CFL-S	596	F2B	44	1.15	12.2	84.1	13.858	115/208-230	1,9;20

Please refer to back cover for description of "NOTES"

Data subject to change without notice.



## THREE-PHASE

### TEFC - Foot Mount

HP	KW	RPM	Frame Size	Catalog Number	List Price	Mult. Symbol	Approx. Shipping Weight (lbs)	Service Factor	FL Amps @ High	FL Eff. (%)	"C" Dimension (in)	Voltage (V)	Notes
0.25	0.18	3600	56C	.2536ES3E56C-S	258	F1	22.00	1.15	0.46	57.5	11.142	208-230/460	9
		3600	B56C	.2536ES3EB56C	258	F1	31.00	1.15	0.45	62.0	11.102	208-230/460	9
		1800	56C	.2518ES3E56C-S	270	F1	23.00	1.15	0.52	70.0	11.146	208-230/460	9
		1800	56C	.2518ES3H56C-S	270	F1	23.00	1.15	0.42	70.0	11.146	575	9
		1800	B56C	.2518ES3EB56C	270	F1	31.00	1.15	0.50	70.0	11.102	208-230/460	9
		1800	B56C	.2518ES3HB56C	270	F1	31.00	1.15	0.40	70.0	11.102	575	9
0.33	0.25	3600	56C	.3336ES3E56C-S	270	F1	22.00	1.15	0.60	62.0	11.142	208-230/460	9
		3600	56C	.3336ES3H56C-S	270	F1	22.00	1.15	0.48	62.0	11.142	575	9
		3600	B56C	.3336ES3EB56C	270	F1	33.00	1.15	0.60	66.0	11.102	208-230/460	9
		3600	B56C	.3336ES3HB56C	270	F1	33.00	1.15	0.48	66.0	11.102	575	9
		1800	56C	.3318ES3E56C-S	274	F1	24.00	1.15	0.62	74.0	11.535	208-230/460	9
		1800	B56C	.3318ES3EB56C	274	F1	33.00	1.15	0.55	75.5	11.102	208-230/460	9
0.50	0.37	3600	56C	.5036ES3E56C-S	282	F1	24.00	1.15	0.84	68.0	11.539	208-230/460	9
		3600	56C	.5036ES3H56C-S	281	F1	24.00	1.15	0.67	68.0	11.539	575	9
		3600	B56C	.5036ES3EB56C	282	F1	36.00	1.15	0.83	72.0	11.102	208-230/460	9
		3600	B56C	.5036ES3HB56C	282	F1	36.00	1.15	0.66	72.0	11.102	575	9
		1800	56C	.5018ES3E56C-S	311	F1	26.00	1.15	0.86	77.0	11.539	208-230/460	9
		1800	56C	.5018ES3H56C-S	263	F1	26.00	1.15	0.69	77.0	11.539	575	9
		1800	B56C	.5018ES3EB56C	311	F1	34.00	1.15	1.65	78.0	11.102	208-230/460	9
		1800	B56C	.5018ES3HB56C	311	F1	34.00	1.15	1.32	78.0	11.102	575	9
		1200	56C	.5012ES3E56C-S	440	F1	30.00	1.15	0.99	72.0	12.323	208-230/460	9
		1200	B56C	.5012ES3EB56C	440	F1	36.00	1.15	1.30	70.0	11.102	208-230/460	9
0.75	0.55	3600	56C	.7536ES3E56C-S	311	F1	25.00	1.15	1.13	72.0	11.535	208-230/460	9
		3600	56C	.7536ES3H56C-S	310	F1	25.00	1.15	0.90	72.0	11.535	575	9
		3600	B56C	.7536ES3EB56C	311	F1	40.00	1.15	1.10	77.0	11.102	208-230/460	9
		3600	B56C	.7536ES3HB56C	311	F1	40.00	1.15	0.88	77.0	11.102	575	9
		1800	56C	.7518ES3E56C-S	332	F1	27.00	1.15	1.22	78.5	11.929	208-230/460	9
		1800	56C	.7518ES3H56C-S	333	F1	27.00	1.15	0.98	78.5	11.929	575	9
		1800	B56C	.7518ES3EB56C	332	F1	40.00	1.15	1.12	80.0	11.102	208-230/460	9
		1800	B56C	.7518ES3HB56C	332	F1	40.00	1.15	0.90	80.0	11.102	575	9
		1200	56HC	.7512ES3E56C-S	449	F1	34.00	1.15	1.34	75.5	12.72	208-230/460	9
		1200	D56C	.7512ES3ED56C	449	F1	40.00	1.15	1.48	81.5	12.283	208-230/460	9
1	0.75	3600	56C	00136ES3E56C-S	361	F1	28.00	1.15	1.51	74.0	11.933	208-230/460	9
		3600	56C	00136ES3H56C-S	361	F1	28.00	1.15	1.21	74.0	11.933	575	9
		3600	B56C	00136ES3EB56C	361	F1	44.00	1.15	1.40	80.0	11.102	208-230/460	9
		3600	B56C	00136ES3HB56C	361	F1	44.00	1.15	1.12	80.0	11.102	575	9
		1800	56C	00118ES3E56C-S	345	F1	32.00	1.15	1.66	80.0	12.323	208-230/460	9
		1800	56C	00118ES3H56C-S	346	F1	32.00	1.15	1.33	80.0	12.323	575	9
		1800	D56C	00118ES3ED56C	345	F1	46.00	1.15	1.55	80.5	12.283	208-230/460	9
		1800	D56C	00118ES3HD56C	345	F1	46.00	1.15	1.24	80.5	12.283	575	9
		1800	143/5TC	00118ET3E143TC-S	484	RSP	43.00	1.15	1.47	85.5	13.583	208-230/460	9
		1200	56HC	00112ES3E56C-S	454	F1	39.00	1.15	1.67	77.0	13.504	208-230/460	9
		1200	F56HC	00112ES3EF56C	454	F1	46.00	1.15	1.83	81.5	13.464	208-230/460	9
		1200	143/5TC	00112ET3E145TC-S	554	RSP	43.00	1.15	1.58	82.5	13.583	208-230/460	9

continued on next page

Please refer to back cover for description of "NOTES"

For detailed specifications, data sheets, drawings and performance curves visit <http://catalog.wegelectric.com>



# C-Face General Purpose Motors

## THREE-PHASE

### TEFC - Foot Mount - *continued*

HP	KW	RPM	Frame Size	Catalog Number	List Price	Mult. Symbol	Approx. Shipping Weight (lbs)	Service Factor	FL Amps @ High	FL Eff. (%)	"C" Dimension (in)	Voltage (V)	Notes
1.5	1.1	3600	56C	00156ES3E56C-S	392	F1	31.00	1.15	1.99	77.0	12.323	208-230/460	9
		3600	56C	00156ES3H56C-S	356	F1	31.00	1.15	1.59	77.0	12.323	575	9
		3600	B56C	00156ES3EB56C	392	F1	48.00	1.15	1.96	82.5	11.102	208-230/460	9
		3600	B56C	00156ES3HB56C	392	F1	48.00	1.15	1.57	82.5	11.102	575	9
		3600	143/5TC	00156ET3E143TC-S	497	RSP	39.00	1.15	1.87	84.0	13.583	208-230/460	9
		1800	56HC	00158ES3E56C-S	384	F1	36.00	1.15	2.23	81.5	13.11	208-230/460	9
		1800	56HC	00158ES3H56C-S	384	F1	36.00	1.15	1.78	81.5	13.11	575	9
		1800	D56C	00158ES3ED56C	384	F1	52.00	1.15	2.30	80.0	12.283	208-230/460	9
		1800	D56C	00158ES3HD56C	384	F1	52.00	1.15	1.84	80.0	12.283	575	9
		1800	143/5TC	00158ET3E145TC-S	504	RSP	43.00	1.15	2.02	86.5	13.583	208-230/460	9
		1200	182/4TC	00152ET3E182TC-S	690	RSP	73.00	1.15	2.22	87.5	16.339	208-230/460	9
2	1.5	3600	56HC	00236ES3E56C-S	437	F1	36.00	1.15	2.57	81.5	13.114	208-230/460	9
		3600	56HC	00236ES3H56C-S	438	F1	36.00	1.15	2.06	81.5	13.114	575	9
		3600	D56C	00236ES3ED56C	437	F1	58.00	1.15	2.58	82.5	12.283	208-230/460	9
		3600	D56C	00236ES3HD56C	437	F1	58.00	1.15	2.06	82.5	12.283	575	9
		3600	143/5TC	00236ET3E145TC-S	539	RSP	45.00	1.15	2.47	85.5	13.976	208-230/460	9
		1800	56HC	00218ES3E56C-S	414	F1	41.00	1.15	2.85	82.5	13.504	208-230/460	9
		1800	F56HC	00218ES3EF56C	414	F1	61.00	1.15	2.90	82.0	13.464	208-230/460	9
		1800	143/5TC	00218ET3E145TC-S	558	RSP	47.00	1.15	2.72	86.5	13.976	208-230/460	9
		1200	182/4TC	00212ET3E184TC-S	747	RSP	83.00	1.15	3.00	88.5	17.126	208-230/460	9
3	2.2	3600	56HC	00336ES3E56C-S	507	F1	43.00	1.15	3.76	81.5	13.898	208-230/460	9
		3600	56HC	00336ES3H56C-S	506	F1	43.00	1.15	3.01	81.5	13.898	575	9
		3600	F56C	00336ES3HF56C	507	F1	67.00	1.15	3.04	84.0	13.464	575	9
		3600	F56HC	00336ES3EF56C	507	F1	67.00	1.15	3.80	84.0	13.464	208-230/460	9
		3600	143/5TC	00336ET3E145TC-S	674	RSP	71.00	1.15	3.51	86.5	15.157	208-230/460	9
		3600	182/4TC	00336ET3E182TC-S	698	RSP	71.00	1.15	3.67	86.5	16.339	208-230/460	9
		1800	182/4TC	00318ET3E182TC-S	610	RSP	87.00	1.15	3.81	89.5	17.894	208-230/460	9
		1200	213/5TC	00312ET3E213TC-S	1,028	RSP	142.00	1.15	4.17	89.5	19.291	208-230/460	9
5	3.7	3600	182/4TC	00536ET3E184TC-S	793	RSP	86.00	1.15	5.90	88.5	17.894	208-230/460	9
		1800	182/4TC	00518ET3E184TC-S	706	RSP	79.00	1.15	6.49	89.5	17.894	208-230/460	9
		1200	213/5TC	00512ET3E215TC-S	1,206	RSP	156.00	1.15	6.74	89.5	20.079	208-230/460	9
7.5	5.5	3600	182/4TC	00736ET3E184TC-S	985	RSP	144.00	1.15	8.57	89.5	17.126	208-230/460	9
		3600	213/5TC	00736ET3E213TC-S	1,025	RSP	144.00	1.15	8.67	89.5	20.079	208-230/460	9
		1800	213/5TC	00718ET3E213TC-S	994	RSP	131.00	1.15	9.07	91.7	18.898	208-230/460	9
		1200	254/6TC	00712ET3E254TC-S	1,859	RSP	248.00	1.15	9.98	91.0	22.559	208-230/460	9
10	7.5	3600	213/5TC	01036ET3E215TC-S	1,205	RSP	173.00	1.15	11.5	90.2	21.654	208-230/460	9
		1800	213/5TC	01018ET3E215TC-S	1,154	RSP	142.00	1.15	12.2	91.7	19.291	208-230/460	9
		1200	254/6TC	01012ET3E256TC-S	2,148	RSP	277.00	1.15	13.8	91.0	23.346	208-230/460	9
15	11	3600	254/6TC	01536ET3E254TC-S	1,649	RSP	220.00	1.15	17.4	91.0	22.559	208-230/460	9
		1800	254/6TC	01518ET3E254TC-S	1,670	RSP	242.00	1.15	18.2	92.4	22.559	208-230/460	9
20	15	3600	254/6TC	02036ET3E256TC-S	2,136	RSP	256.00	1.15	22.7	91.0	23.346	208-230/460	9
		1800	254/6TC	02018ET3E256TC-S	1,978	RSP	271.00	1.15	24.5	92.4	23.346	208-230/460	9
		1800	254/6TC	02018ET3H256TC-S	1,978	RSP	271.00	1.15	19.6	92.4	23.346	575	9

Please refer to back cover for description of "NOTES"

For detailed specifications, data sheets, drawings and performance curves visit <http://catalog.wegelectric.com>

Data subject to change without notice.

Can't find what you are looking for? Call 1-800-ASK-4WEG (275-4934) |



## THREE-PHASE

### TEFC - Footless

HP	KW	RPM	Frame Size	Catalog Number	List Price	Mult. Symbol	Approx. Shipping Weight (lbs)	Service Factor	FL Amps @ High	FL Eff. (%)	"C" Dimension (in)	Voltage (V)	Notes
0.33	0.25	3600	56C	.3336ES3E56CFL-S	270	F1	22.00	1.15	0.60	62.0	11.142	208-230/460	9;20
		3600	56C	.3336ES3H56CFL-S	270	F1	22.00	1.15	0.48	62.0	11.142	575	9;20
		3600	B56C	.3336ES3EB56CFL	270	F1	33.00	1.15	0.60	66.0	11.102	208-230/460	9;20
		3600	B56C	.3336ES3HB56CFL	270	F1	33.00	1.15	0.48	66.0	11.102	575	9;20
		1800	56C	.3318ES3E56CFL-S	274	F1	24.00	1.15	0.62	74.0	11.535	208-230/460	9;20
		1800	B56C	.3318ES3EB56CFL	274	F1	33.00	1.15	0.55	75.5	11.102	208-230/460	9;20
0.50	0.37	3600	56C	.5036ES3E56CFL-S	282	F1	24.00	1.15	0.84	68.0	11.539	208-230/460	9;20
		3600	B56C	.5036ES3EB56CFL	282	F1	36.00	1.15	0.83	72.0	11.102	208-230/460	9;20
		1800	56C	.5018ES3E56CFL-S	311	F1	26.00	1.15	0.86	77.0	11.539	208-230/460	9;20
		1800	56C	.5018ES3H56CFL-S	281	F1	26.00	1.15	0.69	77.0	11.539	575	9;20
		1800	B56C	.5018ES3EB56CFL	311	F1	34.00	1.15	1.65	78.0	11.102	208-230/460	9;20
		1800	B56C	.5018ES3HB56CFL	311	F1	34.00	1.15	1.32	78.0	11.102	575	9;20
		1200	56C	.5012ES3E56CFL-S	440	F1	30.00	1.15	0.99	72.0	12.323	208-230/460	9;20
		1200	56C	.5012ES3H56CFL-S	441	F1	30.00	1.15	0.79	72.0	12.323	575	9;20
		1200	B56C	.5012ES3EB56CFL	440	F1	36.00	1.15	1.30	70.0	11.102	208-230/460	9;20
		1200	B56C	.5012ES3HB56CFL	440	F1	36.00	1.15	1.04	70.0	11.102	575	9;20
0.75	0.55	3600	56C	.7536ES3E56CFL-S	311	F1	25.00	1.15	1.13	72.0	11.535	208-230/460	9;20
		3600	56C	.7536ES3H56CFL-S	310	F1	25.00	1.15	0.90	72.0	11.535	575	9;20
		3600	B56C	.7536ES3EB56CFL	311	F1	40.00	1.15	1.10	77.0	11.102	208-230/460	9;20
		3600	B56C	.7536ES3HB56CFL	311	F1	40.00	1.15	0.88	77.0	11.102	575	9;20
		1800	56C	.7518ES3E56CFL-S	332	F1	27.00	1.15	1.22	78.5	11.929	208-230/460	9;20
		1800	56C	.7518ES3H56CFL-S	333	F1	27.00	1.15	0.98	78.5	11.929	575	9;20
		1800	B56C	.7518ES3EB56CFL	332	F1	40.00	1.15	1.12	80.0	11.102	208-230/460	9;20
		1800	B56C	.7518ES3HB56CFL	332	F1	40.00	1.15	0.90	80.0	11.102	575	9;20
		1200	56HC	.7512ES3E56CFL-S	449	F1	34.00	1.15	1.34	75.5	12.72	208-230/460	9;20
		1200	56HC	.7512ES3H56CFL-S	448	F1	34.00	1.15	1.07	75.5	12.72	575	9;20
		1200	D56C	.7512ES3ED56CFL	449	F1	40.00	1.15	1.48	81.5	12.283	208-230/460	9;20
		1200	D56C	.7512ES3HD56CFL	449	F1	40.00	1.15	1.18	81.5	12.283	575	9;20
1	0.75	3600	56C	00136ES3E56CFL-S	361	F1	28.00	1.15	1.51	74.0	11.933	208-230/460	9;20
		3600	B56C	00136ES3EB56CFL	361	F1	44.00	1.15	1.40	80.0	11.102	208-230/460	9;20
		1800	56C	00118ES3E56CFL-S	345	F1	32.00	1.15	1.66	80.0	12.323	208-230/460	9;20
		1800	56C	00118ES3H56CFL-S	343	F1	32.00	1.15	1.33	80.0	12.323	575	9;20
		1800	D56C	00118ES3ED56CFL	345	F1	46.00	1.15	1.55	80.5	12.283	208-230/460	9;20
		1800	D56C	00118ES3HD56CFL	345	F1	46.00	1.15	1.24	80.5	12.283	575	9;20
		1800	143/5TC	00118EP3ER143TC-S	383	RS	37.00	1.15	1.56	82.5	14.882	208-230/460	9;15;30
		1800	143/5TC	00118ET3ER143TC-S	484	RSP	43.00	1.15	1.47	85.5	14.882	208-230/460	9;15
		1200	56HC	00112ES3E56CFL-S	454	F1	39.00	1.15	1.67	77.0	13.504	208-230/460	9;20
		1200	56HC	00112ES3H56CFL-S	454	F1	39.00	1.15	1.34	77.0	13.504	575	9;20
		1200	F56C	00112ES3EF56CFL	454	F1	46.00	1.15	1.83	81.5	13.464	208-230/460	9;20
		1200	F56C	00112ES3HF56CFL	454	F1	46.00	1.15	1.46	81.5	13.464	575	9;20
		1200	143/5TC	00112EP3ER145TC-S	465	RS	41.00	1.15	1.66	80.0	14.488	208-230/460	9;15;30
		1200	143/5TC	00112ET3ER145TC-S	554	RSP	43.00	1.15	1.58	82.5	14.882	208-230/460	9;15

continued on next page

Please refer to back cover for description of "NOTES"

For detailed specifications, data sheets, drawings and performance curves visit <http://catalog.wegelectric.com>

Data subject to change without notice.



# C-Face General Purpose Motors

## THREE-PHASE

### TEFC - Footless - continued

HP	KW	RPM	Frame Size	Catalog Number	List Price	Mult. Symbol	Approx. Shipping Weight (lbs)	Service Factor	FL Amps @ High	FL Eff. (%)	"C" Dimension (in)	Voltage (V)	Notes
1.5	1.1	3600	56C	00156ES3E56CFL-S	392	F1	31.00	1.15	1.99	77.0	12.323	208-230/460	9;20
		3600	B56C	00156ES3EB56CFL	392	F1	48.00	1.15	1.96	82.5	11.102	208-230/460	9;20
		3600	143/5TC	00156EP3ER143TC-S	399	RS	36.00	1.15	1.90	82.5	14.882	208-230/460	9;15;30
		3600	143/5TC	00156ET3ER143TC-S	497	RSP	39.00	1.15	1.87	84.0	14.882	208-230/460	9;15
		1800	56HC	00158ES3E56CFL-S	384	F1	36.00	1.15	2.23	81.5	13.11	208-230/460	9;20
		1800	D56C	00158ES3ED56CFL	384	F1	52.00	1.15	2.30	80.0	12.283	208-230/460	9;20
		1800	143/5TC	00158EP3ER145TC-S	388	RS	43.00	1.15	2.16	84.0	14.882	208-230/460	9;15;30
		1800	143/5TC	00158ET3ER145TC-S	504	RSP	43.00	1.15	2.02	86.5	14.882	208-230/460	9;15
		1200	182/4TC	00152EP3ER182TC-S	580	RS	78.00	1.15	2.27	85.5	18.465	208-230/460	9;15;30
		1200	182/4TC	00152ET3ER182TC-S	690	RSP	73.00	1.15	2.22	87.5	17.678	208-230/460	9;15
2	1.5	3600	56HC	00236ES3E56CFL-S	437	F1	36.00	1.15	2.57	81.5	13.114	208-230/460	9;20
		3600	D56C	00236ES3ED56CFL	437	F1	58.00	1.15	2.58	82.5	12.283	208-230/460	9;20
		3600	143/5TC	00236EP3ER145TC-S	451	RS	41.00	1.15	2.55	84.0	14.882	208-230/460	9;15;30
		3600	143/5TC	00236ET3ER145TC-S	539	RSP	45.00	1.15	2.47	85.5	15.275	208-230/460	9;15
		1800	56HC	00218ES3E56CFL-S	414	F1	41.00	1.15	2.85	82.5	13.504	208-230/460	9;20
		1800	F56C	00218ES3EF56CFL	414	F1	61.00	1.15	2.90	82.0	13.464	208-230/460	9;20
		1800	143/5TC	00218EP3ER145TC-S	428	RS	47.00	1.15	2.95	84.0	15.669	208-230/460	9;15;30
		1800	143/5TC	00218ET3ER145TC-S	558	RSP	47.00	1.15	2.72	86.5	15.275	208-230/460	9;15
		1200	182/4TC	00212EP3ER184TC-S	628	RS	88.00	1.15	3.15	86.5	19.233	208-230/460	9;15;30
		1200	182/4TC	00212ET3ER184TC-S	747	RSP	83.00	1.15	3.00	88.5	18.465	208-230/460	9;15
3	2.2	3600	56HC	00336ES3E56CFL-S	507	F1	43.00	1.15	3.76	81.5	13.898	208-230/460	9;20
		3600	56HC	00336ES3H56CFL-S	506	F1	43.00	1.15	3.01	81.5	13.898	575	9;20
		3600	F56C	00336ES3EF56CFL	507	F1	67.00	1.15	3.80	84.0	13.464	208-230/460	9;20
		3600	F56C	00336ES3HF56CFL	507	F1	67.00	1.15	3.04	84.0	13.464	575	9;20
		3600	182/4TC	00336EP3ER182TC-S	546	RS	67.00	1.15	3.80	85.5	17.678	208-230/460	9;15;30
		3600	182/4TC	00336ET3ER182TC-S	698	RSP	71.00	1.15	3.67	86.5	17.678	208-230/460	9;15
		1800	182/4TC	00318EP3ER182TC-S	492	RS	71.00	1.15	4.05	87.5	17.678	208-230/460	9;15;30
		1800	182/4TC	00318ET3ER182TC-S	610	RSP	87.00	1.15	3.81	89.5	19.233	208-230/460	9;15
		1200	213/5TC	00312EP3ER213TC-S	822	RS	112.00	1.15	4.26	87.5	20.827	208-230/460	9;15;30
		1200	213/5TC	00312ET3ER213TC-S	1,028	RSP	142.00	1.15	4.17	89.5	21.220	208-230/460	9;15
5	3.7	3600	182/4TC	00536EP3ER184TC-S	660	RS	76.00	1.15	5.96	87.5	18.071	208-230/460	9;15;30
		3600	182/4TC	00536ET3ER184TC-S	793	RSP	86.00	1.15	5.90	88.5	19.233	208-230/460	9;15
		1800	182/4TC	00518EP3ER184TC-S	577	RS	84.00	1.15	6.55	87.5	19.233	208-230/460	9;15;30
		1800	182/4TC	00518ET3ER184TC-S	706	RSP	79.00	1.15	6.49	89.5	17.894	208-230/460	9;15
		1200	213/5TC	00512EP3ER215TC-S	1,041	RS	134.00	1.15	7.08	87.5	21.220	208-230/460	9;15;30
		1200	213/5TC	00512ET3ER215TC-S	1,206	RSP	156.00	1.15	6.74	89.5	22.008	208-230/460	9;15
7.5	5.5	3600	213/5TC	00736EP3ER213TC-S	901	RS	129.00	1.15	8.76	88.5	21.220	208-230/460	9;15;30
		3600	213/5TC	00736ET3ER213TC-S	1,025	RSP	144.00	1.15	8.67	89.5	22.008	208-230/460	9;15
		1800	213/5TC	00718EP3ER213TC-S	764	RS	134.00	1.15	9.07	89.5	21.220	208-230/460	9;15;30
		1800	213/5TC	00718ET3ER213TC-S	994	RSP	131.00	1.15	9.07	91.7	20.827	208-230/460	9;15
		1200	254/6TC	00712EP3ER254TC-S	1,576	RS	223.00	1.15	10.4	89.5	24.724	208-230/460	9;15;30
		1200	254/6TC	00712ET3ER254TC-S	1,859	RSP	248.00	1.15	9.98	91.0	24.724	208-230/460	9;15

continued on next page

Please refer to back cover for description of "NOTES"

For detailed specifications, data sheets, drawings and performance curves visit <http://catalog.wegelectric.com>

Data subject to change without notice.



## THREE-PHASE

### TEFC - Footless - *continued*

HP	KW	RPM	Frame Size	Catalog Number	List Price	Mult. Symbol	Approx. Shipping Weight (lbs)	Service Factor	FL Amps @ High	FL Eff. (%)	"C" Dimension (in)	Voltage (V)	Notes
10	7.5	3600	213/5TC	<b>01036EP3ER215TC-S</b>	<b>1,041</b>	RS	144.00	1.15	11.8	89.5	22.008	208-230/460	9;15;30
		3600	213/5TC	<b>01036ET3ER215TC-S</b>	<b>1,205</b>	RSP	173.00	1.15	11.5	90.2	23.583	208-230/460	9;15
		1800	213/5TC	<b>01018EP3ER215TC-S</b>	<b>901</b>	RS	152.00	1.15	12.1	89.5	22.401	208-230/460	9;15;30
		1800	213/5TC	<b>01018ET3ER215TC-S</b>	<b>1,154</b>	RSP	142.00	1.15	12.2	91.7	21.220	208-230/460	9;15
		1800	213/5TC	<b>01018ET3HR215TC-S</b>	<b>1,154</b>	RSP	142.00	1.15	9.80	91.7	21.220	575	9;15
		1200	254/6TC	<b>01012EP3ER256TC-S</b>	<b>1,713</b>	RS	241.00	1.15	14.0	89.5	24.724	208-230/460	9;15;30
15	11	3600	254/6TC	<b>01536EP3ER254TC-S</b>	<b>1,488</b>	RS	200.00	1.15	18.0	90.2	24.724	208-230/460	9;15;30
		3600	254/6TC	<b>01536ET3ER254TC-S</b>	<b>1,649</b>	RSP	220.00	1.15	17.4	91.0	24.724	208-230/460	9;15
		1800	254/6TC	<b>01518EP3ER254TC-S</b>	<b>1,362</b>	RS	214.00	1.15	18.7	91.0	24.724	208-230/460	9;15;30
		1800	254/6TC	<b>01518ET3ER254TC-S</b>	<b>1,670</b>	RSP	242.00	1.15	18.2	92.4	24.724	208-230/460	9;15
		1800	254/6TC	<b>01518ET3HR254TC-S</b>	<b>1,670</b>	RSP	242.00	1.15	14.6	92.4	24.724	575	9;15
20	15	3600	254/6TC	<b>02036EP3ER256TC-S</b>	<b>1,790</b>	RS	238.00	1.15	23.5	90.2	24.724	208-230/460	9;15;30
		3600	254/6TC	<b>02036ET3ER256TC-S</b>	<b>2,136</b>	RSP	256.00	1.15	22.7	91.0	25.512	208-230/460	9;15
		1800	254/6TC	<b>02018EP3ER256TC-S</b>	<b>1,658</b>	RS	242.00	1.15	24.9	91.0	24.724	208-230/460	9;15;30
		1800	254/6TC	<b>02018ET3ER256TC-S</b>	<b>1,978</b>	RSP	271.00	1.15	24.5	92.4	25.511	208-230/460	9;15

### TEFC - C-Face - Foot Mount w/ AEGIS® Ring



HP	KW	RPM	Frame Size	Catalog Number	List Price	Mult. Symbol	Approx. Shipping Weight (lbs)	Service Factor	FL Amps @ High	FL Eff. (%)	"C" Dimension (in)	Voltage (V)	Notes
3	2.2	1800	182/4T	<b>00318ET3E182TC-SG</b>	<b>780</b>	RSP	87	1.15	3.81	89.5	17.894	208-230/460	9;11;34
5	3.7	3600	182/4T	<b>00536ET3E184TC-SG</b>	<b>963</b>	RSP	86	1.15	5.9	88.5	17.894	208-230/460	9;11;34
		1800	182/4T	<b>00518ET3E184TC-SG</b>	<b>876</b>	RSP	79	1.15	6.49	89.5	17.894	208-230/460	9;11;34
7.5	5.5	3600	213/5T	<b>00736ET3E213TC-SG</b>	<b>1,225</b>	RSP	144	1.15	8.67	89.5	20.079	208-230/460	9;11;34
		1800	213/5T	<b>00718ET3E213TC-SG</b>	<b>1,194</b>	RSP	131	1.15	9.07	91.7	18.898	208-230/460	9;11;34
10	7.5	3600	213/5T	<b>01036ET3E215TC-SG</b>	<b>1,405</b>	RSP	173	1.15	11.5	90.2	21.654	208-230/460	9;11;34
		1800	213/5T	<b>01018ET3E215TC-SG</b>	<b>1,354</b>	RSP	142	1.15	12.2	91.7	19.291	208-230/460	9;11;34
15	11	3600	254/6T	<b>01536ET3E254TC-SG</b>	<b>1,929</b>	RSP	220	1.15	17.4	91	22.559	208-230/460	9;11;34
		1800	254/6T	<b>01518ET3E254TC-SG</b>	<b>1,950</b>	RSP	242	1.15	18.2	92.4	22.559	208-230/460	9;11;34
20	15	3600	254/6T	<b>02036ET3E256TC-SG</b>	<b>2,416</b>	RSP	256	1.15	22.7	91	23.346	208-230/460	9;11;34
		1800	254/6T	<b>02018ET3E256TC-SG</b>	<b>2,258</b>	RSP	271	1.15	24.5	92.4	23.346	208-230/460	9;11;34

Please refer to back cover for description of "NOTES"

For detailed specifications, data sheets, drawings and performance curves visit <http://catalog.wegelectric.com>



# C-Face General Purpose Motors

## THREE-PHASE

### ODP - Foot Mount

HP	KW	RPM	Frame Size	Catalog Number	List Price	Mult. Symbol	Approx. Shipping Weight (lbs)	Service Factor	FL Amps @ High	FL Eff. (%)	"C" Dimension (in)	Voltage (V)	Notes
0.25	0.18	3600	56C	<b>.25360S3E56C-S</b>	222	F1B	21	1.35	0.49	64	10.315	208-230/460	9
		3600	56C	<b>.25360T3E56C-S</b>	259	F2B	21	1.35	0.459	65.6	10.315	208-230/460	9
		1800	56C	<b>.25180S3E56C-S</b>	225	F1B	21	1.35	0.57	66	9.921	208-230/460	9
		1800	56C	<b>.25180T3E56C-S</b>	263	F2B	21	1.35	0.533	69.5	9.921	208-230/460	9
		1200	56C	<b>.25120S3E56C-S</b>	275	F1B	22	1.35	0.6	64	10.315	208-230/460	9
		1200	56C	<b>.25120T3E56C-S</b>	316	F2B	22	1.35	0.549	67.5	10.315	208-230/460	9
0.33	0.25	3600	56C	<b>.33360S3E56C-S</b>	231	F1B	21	1.35	0.66	66	10.315	208-230/460	9
		3600	56C	<b>.33360T3E56C-S</b>	270	F2B	21	1.35	0.61	69.5	10.315	208-230/460	9
		1800	56C	<b>.33180S3E56C-S</b>	242	F1B	21	1.35	0.72	68	9.921	208-230/460	9
		1800	56C	<b>.33180T3E56C-S</b>	284	F2B	21	1.35	0.668	73.4	10.315	208-230/460	9
		1200	56C	<b>.33120S3E56C-S</b>	315	F1B	23	1.35	0.76	68	10.315	208-230/460	9
		1200	56C	<b>.33120T3E56C-S</b>	361	F2B	23	1.35	0.698	71.4	10.315	208-230/460	9
0.5	0.37	3600	56C	<b>.50360S3E56C-S</b>	242	F1B	21	1.25	0.95	68	10.315	208-230/460	9
		3600	56C	<b>.50360T3E56C-S</b>	286	F2B	21	1.25	0.811	73.4	10.315	208-230/460	9
		1800	56C	<b>.50180S3E56C-S</b>	274	F1B	22	1.25	0.98	72	10.315	208-230/460	9
		1800	56C	<b>.50180T3E56C-S</b>	324	F2B	22	1.25	0.861	78.2	10.709	208-230/460	9
		1200	56C	<b>.50120S3E56C-S</b>	328	F1B	26	1.25	0.99	72	10.709	208-230/460	9
		1200	56C	<b>.50120T3E56C-S</b>	377	F2B	26	1.25	0.934	75.3	10.709	208-230/460	9
0.75	0.55	3600	56C	<b>.75360S3E56C-S</b>	283	F1B	23	1.25	1.26	72	10.709	208-230/460	9
		3600	56C	<b>.75360T3E56C-S</b>	333	F2B	23	1.25	1.14	76.8	10.709	208-230/460	9
		1800	56C	<b>.75180S3E56C-S</b>	303	F1B	25	1.25	1.34	75.5	10.709	208-230/460	9
		1800	56C	<b>.75180T3E56C-S</b>	358	F2B	25	1.25	1.15	81.1	11.102	208-230/460	9
		1200	56HC	<b>.75120S3E56C-S</b>	354	F1B	31	1.15	1.29	75.5	11.496	208-230/460	9
		1200	56HC	<b>.75120T3E56C-S</b>	412	F2B	31	1.15	1.26	81.7	12.677	208-230/460	9
		1200	D56C	<b>.75120S3ED56C</b>	354	F1B	37	1.15	1.35	70	12.283	208-230/460	9
1	0.75	3600	56C	<b>001360S3E56C-S</b>	321	F1B	24	1.25	1.61	74	10.709	208-230/460	9
		3600	56C	<b>001360T3E56C-S</b>	383	F2B	24	1.25	1.51	77	10.709	208-230/460	9
		1800	56C	<b>001180S3E56C-S</b>	320	F1B	28	1.15	1.8	77	10.709	208-230/460	9
		1800	56C	<b>001180T3E56C-S</b>	378	F2B	28	1.15	1.57	83.5	11.495	208-230/460	9
		1800	143/5TC	<b>001180T3E143TC-S</b>	424	N1S	39	1.15	1.51	85.5	11.575	208-230/460	9
		1800	143/5TC	<b>001180T3H143TC-S</b>	424	N1S	39	1.15	1.21	85.5	11.575	575	9
		1200	56HC	<b>001120S3E56C-S</b>	416	F1B	35	1.15	1.7	77	11.89	208-230/460	9
		1200	56HC	<b>001120T3E56C-S</b>	486	F2B	35	1.15	1.68	82.5	13.071	208-230/460	9

continued on next page



## THREE-PHASE

### ODP - Foot Mount - *continued*

HP	KW	RPM	Frame Size	Catalog Number	List Price	Mult. Symbol	Approx. Shipping Weight (lbs)	Service Factor	FL Amps @ High	FL Eff. (%)	"C" Dimension (in)	Voltage (V)	Notes
1.5	1.1	3600	56C	001560S3E56C-S	344	F1B	27	1.15	2.16	77	11.102	208-230/460	9
		3600	56C	001560T3E56C-S	408	F2B	27	1.15	1.85	84	10.709	208-230/460	9
		3600	143/5TC	001560T3E143TC-S	476	N1S	34	1.15	1.85	84	11.575	208-230/460	9
		3600	143/5TC	001560T3H143TC-S	476	N1S	34	1.15	1.48	84	11.575	575	9
		1800	56HC	001580S3E56C-S	329	F1B	32	1.15	2.3	80	11.496	208-230/460	9
		1800	56HC	001580T3E56C-S	389	F2B	32	1.15	2.1	86.5	13.071	208-230/460	9
		1800	143/5TC	001580T3E145TC-S	483	N1S	47	1.15	2.07	86.5	12.362	208-230/460	9
		1800	143/5TC	001580T3H145TC-S	483	N1S	47	1.15	1.66	86.5	12.362	575	9
2	1.5	3600	56HC	002360S3E56C-S	355	F1B	32	1.15	2.82	78.5	11.89	208-230/460	9
		3600	56HC	002360T3E56C-S	464	F2B	32	1.15	2.42	85.5	12.677	208-230/460	9
		3600	143/5TC	002360T3E145TC-S	521	N1S	42	1.15	2.42	85.5	11.969	208-230/460	9
		3600	143/5TC	002360T3H145TC-S	521	N1S	42	1.15	1.94	85.5	11.969	575	9
		1800	56HC	002180S3E56C-S	346	F1B	35	1.15	3.11	78.5	11.89	208-230/460	9
		1800	56HC	002180T3E56C-S	399	F2B	35	1.15	2.69	86.5	11.102	208-230/460	9
		1800	143/5TC	002180T3E145TC-S	526	N1S	44	1.15	2.69	86.5	12.362	208-230/460	9
		1800	143/5TC	002180T3H145TC-S	526	N1S	44	1.15	2.15	86.5	12.362	575	9
		1200	182/4TC	002120T3E184TC-S	635	N1S	73	1.15	2.95	87.5	14.744	208-230/460	9
		1200	182/4TC	002120T3H184TC-S	635	N1S	73	1.15	2.36	87.5	14.744	575	9
3	2.2	3600	56HC	003360S3E56C-S	379	F1B	35	1.15	3.89	81.5	12.283	208-230/460	9
		3600	56HC	003360T3E56C-S	513	F2B	35	1.15	3.59	85.5	13.071	208-230/460	9
		3600	143/5TC	003360T3E145TC-S	579	N1S	45	1.15	3.59	85.5	12.362	208-230/460	9
		3600	143/5TC	003360T3H145TC-S	579	N1S	45	1.15	2.87	85.5	12.362	575	9
		1800	182/4TC	003180T3E182TC-S	562	N1S	73	1.15	3.86	89.5	15.138	208-230/460	9
		1800	182/4TC	003180T3H182TC-S	562	N1S	73	1.15	3.09	89.5	15.138	575	9
		1800	182/4TC	003180T3V182TC-S	562	N1S	73	1.15	4.43	89.5	15.138	200/400	9
		1200	213/5TC	003120T3E213TC-S	826	N1S	110	1.15	4.16	88.5	16.575	208-230/460	9
		1200	213/5TC	003120T3H213TC-S	826	N1S	110	1.15	3.33	88.5	16.575	575	9
		5	3.7	3600	182/4TC	005360T3E182TC-S	689	N1S	66	1.15	6.1	86.5	14.764
3600	182/4TC			005360T3H182TC-S	689	N1S	66	1.15	4.88	86.5	14.764	575	9
1800	182/4TC			005180T3E184TC-S	668	N1S	87	1.15	6.33	89.5	16.319	208-230/460	9
1800	182/4TC			005180T3H184TC-S	668	N1S	87	1.15	5.06	89.5	16.319	575	9
1200	213/5TC			005120T3E215TC-S	1,108	N1S	129	1.15	6.74	89.5	16.969	208-230/460	9
1200	213/5TC			005120T3H215TC-S	1,108	N1S	129	1.15	5.39	89.5	16.969	575	9

*continued on next page*



# C-Face General Purpose Motors

## THREE-PHASE

### ODP - Foot Mount - *continued*

HP	KW	RPM	Frame Size	Catalog Number	List Price	Mult. Symbol	Approx. Shipping Weight (lbs)	Service Factor	FL Amps @ High	FL Eff. (%)	"C" Dimension (in)	Voltage (V)	Notes
7.5	5.5	3600	182/4TC	<b>007360T3E184TC-S</b>	<b>958</b>	N1S	77	1.15	8.67	88.5	15.138	208-230/460	9
		3600	182/4TC	<b>007360T3H184TC-S</b>	<b>958</b>	N1S	77	1.15	6.93	88.5	15.138	575	9
		1800	213/5TC	<b>007180T3E213TC-S</b>	<b>961</b>	N1S	128	1.15	9.14	91	16.575	208-230/460	9
		1800	213/5TC	<b>007180T3H213TC-S</b>	<b>961</b>	N1S	128	1.15	7.31	91	16.575	575	9
		1800	213/5TC	<b>007180T3V213TC-S</b>	<b>961</b>	N1S	128	1.15	10.5	91	16.575	200/400	9
		1200	254/6TC	<b>007120T3E254TC-S</b>	<b>1,535</b>	N1S	231	1.15	10.2	90.2	20.472	208-230/460	9
		1200	254/6TC	<b>007120T3H254TC-S</b>	<b>1,535</b>	N1S	231	1.15	8.2	90.2	20.472	575	9
10	7.5	3600	213/5TC	<b>010360T3E213TC-S</b>	<b>1,132</b>	N1S	128	1.15	12	89.5	16.969	208-230/460	9
		3600	213/5TC	<b>010360T3H213TC-S</b>	<b>1,132</b>	N1S	128	1.15	9.6	89.5	16.969	575	9
		1800	213/5TC	<b>010180T3E215TC-S</b>	<b>1,153</b>	N1S	149	1.15	12.4	91.7	17.756	208-230/460	9
		1800	213/5TC	<b>010180T3H215TC-S</b>	<b>1,153</b>	N1S	149	1.15	9.9	91.7	17.756	575	9
		1200	254/6TC	<b>010120T3E256TC-S</b>	<b>1,785</b>	N1S	254	1.15	13.9	91.7	20.472	208-230/460	9
		1200	254/6TC	<b>010120T3H256TC-S</b>	<b>1,785</b>	N1S	254	1.15	11.1	91.7	20.472	575	9
15	11	3600	213/5TC	<b>015360T3E215TC-S</b>	<b>1,543</b>	N1S	143	1.15	17.2	90.2	17.756	208-230/460	9
		3600	213/5TC	<b>015360T3H215TC-S</b>	<b>1,543</b>	N1S	143	1.15	13.8	90.2	17.756	575	9
		3600	213/5TC	<b>015360T3V215TC-S</b>	<b>1,543</b>	N1S	143	1.15	19.8	90.2	17.756	200/400	9
		1800	254/6TC	<b>015180T3E254TC-S</b>	<b>1,545</b>	N1S	220	1.15	18.3	93	20.472	208-230/460	9
		1800	254/6TC	<b>015180T3H254TC-S</b>	<b>1,545</b>	N1S	220	1.15	14.7	93	20.472	575	9
		1800	254/6TC	<b>015180T3V254TC-S</b>	<b>1,545</b>	N1S	220	1.15	21.1	93	20.472	200/400	9
20	15	3600	254/6TC	<b>020360T3E254TC-S</b>	<b>1,828</b>	N1S	196	1.15	23.8	91	20.472	208-230/460	9
		3600	254/6TC	<b>020360T3H254TC-S</b>	<b>1,828</b>	N1S	196	1.15	19	91	20.472	575	9
		1800	254/6TC	<b>020180T3E256TC-S</b>	<b>1,900</b>	N1S	243	1.15	24.7	93	20.472	208-230/460	9
		1800	254/6TC	<b>020180T3H256TC-S</b>	<b>1,900</b>	N1S	243	1.15	19.7	93	20.472	575	9
		1800	254/6TC	<b>020180T3V256TC-S</b>	<b>1,900</b>	N1S	243	1.15	28.4	93	20.472	200/400	9
25	18.5	3600	254/6TC	<b>025360T3E256TC-S</b>	<b>2,207</b>	N1S	219	1.15	29.1	91.7	20.472	208-230/460	9
		3600	254/6TC	<b>025360T3H256TC-S</b>	<b>2,207</b>	N1S	219	1.15	23.3	91.7	20.472	575	9

Please refer to back cover for description of "NOTES"

For detailed specifications, data sheets, drawings and performance curves visit <http://catalog.wegelectric.com>

Data subject to change without notice.



## THREE-PHASE

### ODP - Footless

HP	KW	RPM	Frame Size	Catalog Number	List Price	Mult. Symbol	Approx. Shipping Weight (lbs)	Service Factor	FL Amps @ High	FL Eff. (%)	"C" Dimension (in)	Voltage (V)	Notes
0.25	0.18	1800	56C	<a href="#">.25180S3H56CFL-S</a>	226	F1B	21	1.35	0.46	66	9.921	575	9;20
		1800	56C	<a href="#">.25180T3E56CFL-S</a>	263	F2B	21	1.35	0.53	66.0	9.921	208-230/460	9;20
		1800	56C	<a href="#">.25180T3H56CFL-S</a>	263	F2B	21	1.35	0.426	69.5	9.921	575	9;20
0.33	0.25	3600	56C	<a href="#">.33360S3E56CFL-S</a>	231	F1B	21	1.35	0.66	66	10.315	208-230/460	9;20
		3600	56C	<a href="#">.33360T3E56CFL-S</a>	270	F2B	21	1.35	0.61	69.5	10.315	208-230/460	9;20
		1800	56C	<a href="#">.33180S3E56CFL-S</a>	242	F1B	21	1.35	0.72	68	9.921	208-230/460	9;20
		1800	56C	<a href="#">.33180T3E56CFL-S</a>	284	F2B	21	1.35	0.668	73.4	10.315	208-230/460	9;20
		1800	56C	<a href="#">.33180T3H56CFL-S</a>	284	F2B	21	1.35	0.53	73.4	10.315	575	9;20
0.5	0.37	3600	56C	<a href="#">.50360S3E56CFL-S</a>	242	F1B	21	1.25	0.95	68	10.315	208-230/460	9;20
		3600	56C	<a href="#">.50360T3E56CFL-S</a>	286	F2B	21	1.25	0.811	73.4	10.315	208-230/460	9;20
		1800	56C	<a href="#">.50180S3E56CFL-S</a>	274	F1B	22	1.25	0.98	72	10.315	208-230/460	9;20
		1800	56C	<a href="#">.50180S3H56CFL-S</a>	274	F1B	22	1.25	0.78	72	10.315	575	9;20
		1800	56C	<a href="#">.50180T3E56CFL-S</a>	324	F2B	22	1.25	0.861	78.2	10.709	208-230/460	9;20
		1800	56C	<a href="#">.50180T3H56CFL-S</a>	324	F2B	22	1.25	0.689	78.2	10.709	575	9;20
0.75	0.55	3600	56C	<a href="#">.75360S3E56CFL-S</a>	283	F1B	23	1.25	1.26	72	10.709	208-230/460	9;20
		3600	56C	<a href="#">.75360T3E56CFL-S</a>	333	F2B	23	1.25	1.14	76.8	10.709	208-230/460	9;20
		1800	56C	<a href="#">.75180S3E56CFL-S</a>	303	F1B	25	1.25	1.34	75.5	10.709	208-230/460	9;20
		1800	56C	<a href="#">.75180S3H56CFL-S</a>	276	F1B	25	1.25	1.07	75.5	10.709	575	9;20
		1800	56C	<a href="#">.75180T3E56CFL-S</a>	358	F2B	25	1.25	1.15	81.1	11.102	208-230/460	9;20
		1800	56C	<a href="#">.75180T3H56CFL-S</a>	358	F2B	25	1.25	0.92	81.1	11.102	575	9;20
1	0.75	3600	56C	<a href="#">001360S3E56CFL-S</a>	301	F1B	24	1.25	1.61	74	10.709	208-230/460	9;20
		3600	56C	<a href="#">001360T3E56CFL-S</a>	383	F2B	24	1.25	1.51	77	10.709	208-230/460	9;20
		1800	56C	<a href="#">001180S3E56CFL-S</a>	320	F1B	28	1.15	1.8	77	10.709	208-230/460	9;20
		1800	56C	<a href="#">001180S3H56CFL-S</a>	320	F1B	28	1.15	1.44	77	10.709	575	9;20
		1800	56C	<a href="#">001180T3E56CFL-S</a>	378	F2B	28	1.15	1.57	83.5	11.495	208-230/460	9;20
		1800	56C	<a href="#">001180T3H56CFL-S</a>	378	F2B	28	1.15	1.26	83.5	11.495	575	9;20
1.5	1.1	3600	56C	<a href="#">001560S3E56CFL-S</a>	344	F1B	27	1.15	2.16	77	11.102	208-230/460	9;20
		3600	56C	<a href="#">001560T3E56CFL-S</a>	408	F2B	27	1.15	1.85	84	10.709	208-230/460	9;20
		1800	56HC	<a href="#">001580S3E56CFL-S</a>	329	F1B	32	1.15	2.3	80	11.496	208-230/460	9;20
		1800	56HC	<a href="#">001580S3H56CFL-S</a>	329	F1B	32	1.15	1.84	80	11.496	575	9;20
		1800	56HC	<a href="#">001580T3E56CFL-S</a>	389	F2B	32	1.15	2.1	86.5	13.071	208-230/460	9;20
		1800	56HC	<a href="#">001580T3H56CFL-S</a>	389	F2B	32	1.15	1.68	86.5	13.071	575	9;20
2	1.5	3600	56HC	<a href="#">002360S3E56CFL-S</a>	355	F1B	32	1.15	2.82	78.5	11.89	208-230/460	9;20
		3600	56HC	<a href="#">002360T3E56CFL-S</a>	464	F2B	32	1.15	2.42	85.5	12.677	208-230/460	9;20
		1800	56HC	<a href="#">002180S3H56CFL-S</a>	346	F1B	35	1.15	2.49	78.5	11.89	575	9;20
		1800	56HC	<a href="#">002180T3H56CFL-S</a>	399	F2B	35	1.15	2.15	86.5	11.102	575	9;20
3	2.2	3600	56HC	<a href="#">003360S3E56CFL-S</a>	379	F1B	35	1.15	3.89	81.5	12.283	208-230/460	9;20
		3600	56HC	<a href="#">003360T3E56CFL-S</a>	513	F2B	35	1.15	3.59	85.5	13.071	208-230/460	9;20

Please refer to back cover for description of "NOTES"

For detailed specifications, data sheets, drawings and performance curves visit <http://catalog.wegelectric.com>

Data subject to change without notice.



# C-Face General Purpose Motors

## THREE-PHASE

### ODP - Foot Mount w/ AEGIS® Ring

HP	KW	RPM	Frame Size	Catalog Number	List Price	Mult. Symbol	Approx. Shipping Weight (lbs)	Service Factor	FL Amps @ High	FL Eff. (%)	"C" Dimension (in)	Voltage (V)	Notes
3	2.2	1800	182/4T	<b>003180T3E182TC-SG</b>	<b>732</b>	N1S	73	1.15	3.86	89.5	15.138	208-230/460	9;34
5	3.7	3600	182/4T	<b>005360T3E182TC-SG</b>	<b>859</b>	N1S	66	1.15	6.1	86.5	14.764	208-230/460	9;34
		1800	182/4T	<b>005180T3E184TC-SG</b>	<b>838</b>	N1S	87	1.15	6.33	89.5	16.319	208-230/460	9;34
7.5	5.5	3600	182/4T	<b>007360T3E184TC-SG</b>	<b>1,128</b>	N1S	77	1.15	8.67	88.5	15.138	208-230/460	9;34
		1800	213/5T	<b>007180T3E213TC-SG</b>	<b>1,161</b>	N1S	128	1.15	9.14	91	16.575	208-230/460	9;34
10	7.5	3600	213/5T	<b>010360T3E213TC-SG</b>	<b>1,332</b>	N1S	128	1.15	12	89.5	16.969	208-230/460	9;34
		1800	213/5T	<b>010180T3E215TC-SG</b>	<b>1,353</b>	N1S	149	1.15	12.4	91.7	17.756	208-230/460	9;34
15	11	3600	213/5T	<b>015360T3E215TC-SG</b>	<b>1,743</b>	N1S	143	1.15	17.2	90.2	17.756	208-230/460	9;34
		1800	254/6T	<b>015180T3E254TC-SG</b>	<b>1,825</b>	N1S	220	1.15	18.3	93	20.472	208-230/460	9;34
20	15	3600	254/6T	<b>020360T3E254TC-SG</b>	<b>2,108</b>	N1S	196	1.15	23.8	91	20.472	208-230/460	9;34
		1800	254/6T	<b>020180T3E256TC-SG</b>	<b>2,180</b>	N1S	243	1.15	24.7	93	20.472	208-230/460	9;34
25	18.5	3600	254/6T	<b>025360T3E256TC-SG</b>	<b>2,487</b>	N1S	219	1.15	29.1	91.7	20.472	208-230/460	9;34

Please refer to back cover for description of "NOTES"

For detailed specifications, data sheets, drawings and performance curves visit <http://catalog.wegelectric.com>

Data subject to change without notice.



## SINGLE-PHASE

### TEFC

HP	KW	RPM	Frame Size	Catalog Number	List Price	Mult. Symbol	Approx. Shipping Weight (lbs)	Service Factor	FL Amps @ High	FL Eff. (%)	"C" Dimension (in)	Voltage (V)	Notes
0.25	0.18	3600	B56	<b>.2536ES1BB56</b>	<b>257</b>	F1	31.00	1.15	2.30	50.0	11.102	115/208-230	9
		1800	B56	<b>.2518ES1BB56</b>	<b>267</b>	F1	33.00	1.15	2.35	57.7	11.102	115/208-230	9
0.33	0.25	3600	B56	<b>.3336ES1BB56</b>	<b>267</b>	F1	36.00	1.15	2.85	53.0	11.102	115/208-230	9
		1800	B56	<b>.3318ES1BB56</b>	<b>283</b>	F1	36.00	1.15	2.80	61.0	11.102	115/208-230	9
0.50	0.37	3600	B56	<b>.5036ES1BB56</b>	<b>284</b>	F1	40.00	1.15	3.80	58.0	11.102	115/208-230	9
		3600	B56	<b>.5036ES1BOLB56</b>	<b>316</b>	F1	40.00	1.15	3.80	58.0	11.102	115/208-230	4;9
		1800	B56	<b>.5018ES1BB56</b>	<b>312</b>	F1	41.00	1.15	3.70	66.5	11.102	115/208-230	9
		1800	W56	<b>.5018ES1BW56-S</b>	<b>312</b>	F1	41.00	1.15	4	64	11.894	115/208-230	9
		1200	D56	<b>.5012ES1BD56</b>	<b>512</b>	F1	41.00	1.15	3.60	71.0	12.283	115/208-230	9
0.75	0.55	3600	B56	<b>.7536ES1BB56</b>	<b>297</b>	F1	41.00	1.15	5.20	64.0	11.102	115/208-230	9
		3600	B56	<b>.7536ES1BOLB56</b>	<b>329</b>	F1	41.00	1.15	5.20	64.0	11.102	115/208-230	4;9
		1800	B56	<b>.7518ES1BB56</b>	<b>348</b>	F1	46.00	1.15	5.30	68.5	11.102	115/208-230	9
		1200	F56H	<b>.7512ES1BF56</b>	<b>648</b>	F1	58.00	1.15	5.00	71.0	13.464	115/208-230	9
1	0.75	3600	D56	<b>00136ES1BD56</b>	<b>376</b>	F1	46.00	1.15	6.40	67.0	12.283	115/208-230	9
		3600	D56	<b>00136ES1BOLD56</b>	<b>408</b>	F1	46.00	1.15	6.40	67.0	12.283	115/208-230	4;9
		1800	D56	<b>00118ES1BD56</b>	<b>401</b>	F1	52.00	1.15	7.00	70.3	12.283	115/208-230	9
1.5	1.1	3600	D56	<b>00156ES1BD56</b>	<b>432</b>	F1	56.00	1.15	8.55	70.0	12.283	115/208-230	9
		3600	D56	<b>00156ES1BOLD56</b>	<b>463</b>	F1	56.00	1.15	8.55	70.0	12.283	115/208-230	4;9
		1800	F56H	<b>00158ES1BF56</b>	<b>456</b>	F1	58.00	1.15	8.70	76.5	13.464	115/208-230	9
2	1.5	3600	F56H	<b>00236ES1BF56</b>	<b>561</b>	F1	65.00	1.15	10.0	74.0	13.464	115/208-230	9
		3600	F56H	<b>00236ES1BOLF56</b>	<b>592</b>	F1	65.00	1.15	10.0	74.0	13.464	115/208-230	4;9

Please refer to back cover for description of "NOTES"

For detailed specifications, data sheets, drawings and performance curves visit <http://catalog.wegelectric.com>

Data subject to change without notice.



# Foot Mount General Purpose Motors

## SINGLE-PHASE

### ODP

HP	KW	RPM	Frame Size	Catalog Number	List Price	Mult. Symbol	Approx. Shipping Weight (lbs)	Service Factor	FL Amps @ High	FL Eff. (%)	"C" Dimension (in)	Voltage (V)	Notes
0.12	0.09	1800	48	.12180S1B48-S	201	F1B	17.00	1.4	1.5	50	9.492	115/208-230	9
		1800	B48	.12180S1BB48	201	F1B	17.00	1.40	1.60	48.1	9.252	115/208-230	9
0.16	0.12	3600	48	.16360S1B48-S	216	F1B	17.00	1.35	1.4	53	9.492	115/208-230	9
		3600	B48	.16360S1BB48	216	F1B	17.00	1.35	1.55	49.9	9.252	115/208-230	9
		1800	48	.16180S1B48-S	208	F1B	17.00	1.35	1.7	53	9.492	115/208-230	9
		1800	B48	.16180S1BB48	208	F1B	17.00	1.35	1.85	50.3	9.252	115/208-230	9
		1800	B48	.16180S1BSPB48	224	F1B	19.00	1.35	1.90	49.9	9.252	115/208-230	9;16
		1800	B48	.16180S1BSPB48	224	F1B	19.00	1.35	1.90	49.9	9.252	115/208-230	9;16
0.25	0.18	3600	56	.25360S1B56	220	F1B	19.00	1.35	2.15	54.7	9.646	115/208-230	9
		3600	W56	.25360T1BW56-S	253	F2B	19.00	1.35	1.25	66.6	9.866	115/208-230	9
		3600	B48	.25360S1BB48	220	F1B	19.00	1.35	2.15	54.7	9.252	115/208-230	9
		3600	48	.25360T1B48-S	253	F2B	19.00	1.35	1.25	66.6	9.492	115/208-230	9
		1800	56	.25180S1B56	209	F1B	19.00	1.35	2.65	55.9	9.646	115/208-230	9
		1800	B48	.25180S1BB48	209	F1B	19.00	1.35	2.65	55.9	9.252	115/208-230	9
		1800	B48	.25180S1BSPB48	240	F1B	20.00	1.35	2.40	59.5	9.252	115/208-230	9;16
		1800	48	.25180T1B48-S	241	F2B	19.00	1.35	1.6	68.5	9.492	115/208-230	9
		1800	W56	.25180T1BW56-S	241	F2B	19.00	1.35	1.6	68.5	9.866	115/208-230	9
0.33	0.25	3600	C48	.33360S1BC48	222	F1B	22.00	1.35	2.85	57.6	10.197	115/208-230	9
		3600	48	.33360T1B48-S	256	F2B	22.00	1.35	1.6	70.5	9.886	115/208-230	9
		3600	C56	.33360S1BC56	222	F1B	22.00	1.35	2.85	57.6	10.551	115/208-230	9
		3600	W56	.33360T1BW56-S	257	F2B	22.00	1.35	1.6	70.5	10.26	115/208-230	9
		1800	C48	.33180S1BC48	237	F1B	22.00	1.35	3.11	58.6	10.197	115/208-230	9
		1800	C48	.33180S1BSPC48	258	F1B	22.00	1.35	3.13	60.0	10.197	115/208-230	9;16
		1800	48	.33180T1B48-S	275	F2B	22.00	1.35	2.1	72.4	9.886	115/208-230	9
		1800	C56	.33180S1BC56	237	F1B	22.00	1.35	3.30	58.2	10.551	115/208-230	9
		1800	W56	.33180T1BW56-S	275	F2B	22.00	1.35	2.1	72.4	10.26	115/208-230	9
0.50	0.37	3600	C48	.50360S1BC48	237	F1B	24.00	1.25	3.60	64.4	10.197	115/208-230	9
		3600	48	.50360T1B48-S	276	F2B	24.00	1.25	2.4	72.4	9.886	115/208-230	9
		3600	C56	.50360S1BC56	242	F1B	24.00	1.25	3.60	64.4	10.551	115/208-230	9
		3600	C56	.50360S1BCDC56	224	C1S	24.00	1.00	3.30	63.0	10.551	115/208-230	1;4;6;9
		3600	W56	.50360T1BW56-S	-	F2B	24.00	1.25	2.4	72.4	10.26	115/208-230	9
		1800	C48	.50180S1BC48	273	F1B	24.00	1.25	4.25	61.7	10.197	115/208-230	9
		1800	C48	.50180S1BSPC48	279	F1B	24.00	1.25	4.00	63.5	10.197	115/208-230	9;16
		1800	48	.50180T1B48-S	318	F2B	24.00	1.25	2.75	76.2	10.28	115/208-230	9
		1800	C56	.50180S1BC56	264	F1B	24.00	1.25	4.25	61.7	10.551	115/208-230	9
		1800	W56	.50180T1BW56-S	307	F2B	24.00	1.25	2.75	76.2	10.654	115/208-230	9

continued on next page

Please refer to back cover for description of "NOTES"

For detailed specifications, data sheets, drawings and performance curves visit <http://catalog.wegelectric.com>

Data subject to change without notice.

# Foot Mount General Purpose Motors



## SINGLE-PHASE

ODP - continued

HP	KW	RPM	Frame Size	Catalog Number	List Price	Mult. Symbol	Approx. Shipping Weight (lbs)	Service Factor	FL Amps @ High	FL Eff. (%)	"C" Dimension (in)	Voltage (V)	Notes
0.75	0.55	3600	B56	.75360S1BB56	274	F1B	32.00	1.25	5.25	67.2	11.102	115/208-230	9
		3600	56	.75360T1B56-S	320	F2B	32.00	1.25	3.4	76.2	11.89	115/208-230	9
		3600	C56	.75360S1BCDC56	237	C1S	32.00	1.00	4.60	66.0	10.551	115/208-230	1;4;6;9
		1800	D56	.75180S1BD56	328	F1B	36.00	1.25	5.40	66.7	12.283	115/208-230	9
		1800	56	.75180T1B56-S	387	F2B	36.00	1.25	3.4	81.8	11.89	115/208-230	9
1	0.75	3600	B56	001360S1BCDB56	278	C1S	36.00	1.00	6.10	67.0	11.102	115/208-230	1;4;6;9
		3600	D56	001360S1BD56	296	F1B	36.00	1.25	6.80	66.3	12.283	115/208-230	9
		3600	56	001360T1B56-S	347	F2B	36.00	1.25	4.3	80.4	11.89	115/208-230	9
		1800	D56	001180S1BD56	355	F1B	39.00	1.15	7.00	71.4	12.283	115/208-230	9
		1800	D56	001180S1BOD56	370	F1B	39.00	1.15	7.00	71.4	12.283	115/208-230	9
		1800	56	001180T1B56-S	421	F2B	39.00	1.15	4.5	82.6	12.677	115/208-230	9
		1800	56	001180T1B056-S	438	F2B	39.00	1.15	4.50	82.6	12.677	115/208-230	9
1.5	1.1	3600	D56	001560S1BCDD56	311	C1S	40.00	1.00	8.40	68.0	12.283	115/208-230	1;4;6;9
		3600	D56	001560S1BD56	333	F1B	40.00	1.15	8.90	70.0	12.283	115/208-230	9
		3600	56	001560T1B56-S	393	F2B	40.00	1.15	6.2	81.5	12.284	115/208-230	9
		1800	F56H	001580S1BCH56H	438	F1B	37.00	1.15	10.2	71.3	13.464	115/208-230	9
		1800	F56H	001580S1BF56	438	F1B	37.00	1.15	10.2	71.3	13.464	115/208-230	9
		1800	F56H	001580S1BOF56	453	F1B	51.00	1.15	10.2	71.3	13.464	115/208-230	3;9
		1800	56H	001580T1B56-S	523	F2B	37.00	1.15	6.8	83.8	13.071	115/208-230	9
		1800	56H	001580T1B056-S	-	F2B	51.00	1.15	6.8	83.8	13.071	115/208-230	3;9
2	1.5	3600	D56	002360S1BCDD56	372	C1S	41.00	1.00	11.0	70.0	12.283	115/208-230	1;4;6;9
		3600	F56H	002360S1BF56	409	F1B	41.00	1.15	11.0	77.9	13.464	115/208-230	9
		3600	56H	002360T1B56-S	485	F2B	41.00	1.15	8.4	82.9	12.677	115/208-230	9
		1800	G56H	002180S1BG56	522	F1B	46.00	1.00	14.0	71.4	13.858	115/208-230	1;9
		1800	56H	002180T1B56-S	626	F2B	46.00	1.15	9.3	84.5	13.858	115/208-230	1;9
3	2.2	3600	F56H	003360S1BCDF56	432	C1S	44.00	1.00	14.7	77.0	13.464	115/208-230	1;4;6;9
		3600	G56H	003360S1BG56	475	F1B	44.00	1.00	15.5	78.0	13.858	115/208-230	1;9
		3600	56H	003360T1B56-S	568	F2B	44.00	1.15	12.2	84.1	13.858	115/208-230	1;9
4	3.0	3600	G56HZ	004360S1DCDG56HZ	453	C1S	47.00	1.15	16.5	82.5	14.234	230	4;5;6;9
		3600	G56H	005360S1CCDG56	458	C1S	52.00	1.00	19.0	85.0	13.858	208-230	1;4;6;9
		3600	G56HZ	005360S1CCDG56HZ	481	C1S	52.00	1.00	19.0	85.0	14.234	208-230	1;4;5;6;9

Please refer to back cover for description of "NOTES"

For detailed specifications, data sheets, drawings and performance curves visit <http://catalog.wegelectric.com>

Data subject to change without notice.



# Foot Mount General Purpose Motors

## SINGLE-PHASE

### ODP - Resilient Base

HP	KW	RPM	Frame Size	Catalog Number	List Price	Mult. Symbol	Approx. Shipping Weight (lbs)	Service Factor	FL Amps @ High	FL Eff. (%)	"C" Dimension (in)	Voltage (V)	Notes
0.25	0.18	1800	B48	.25180S1BRB0B48	274	F1B	22.00	1.35	2.40	59.5	10.632	115/208-230	3;9;13;16
0.33	0.25	1800	C48	.33180S1BRB0C48	284	F1B	26.00	1.35	3.13	60.0	10.039	115/208-230	3;9;13;16
		1800	C56	.33180S1BRB0C56	288	F1B	22.00	1.35	3.13	60.0	11.593	115/208-230	3;9;13;16
		1800	C56	.33180S1PRB0C56	288	F1B	22.00	1.35	2.58	58.6	11.593	277	3;9;13
0.50	0.37	1800	C48	.50180S1BRB0C48	311	F1B	28.00	1.25	4.00	63.5	10.039	115/208-230	3;9;13;16
		1800	C56	.50180S1BRB0C56	316	F1B	24.00	1.25	4.00	63.5	11.593	115/208-230	3;9;13;16
		1800	C56	.50180S1PRB0C56	316	F1B	24.00	1.35	3.34	63.2	11.593	277	3;9;13
0.75	0.55	1800	D56	.75180S1BRB0D56	379	F1B	36.00	1.25	5.40	66.7	12.992	115/208-230	3;9;13
		1800	D56	.75180S1PRB0D56	379	F1B	36.00	1.25	4.48	66.7	12.992	277	3;9;13
1	0.75	1800	D56	001180S1BRB0D56	408	F1B	39.00	1.15	7.00	71.4	12.992	115/208-230	3;9;13
		1800	D56	001180S1PRB0D56	408	F1B	39.00	1.15	5.81	71.4	12.992	277	3;9;13
1.5	1.1	3600	D56	001560S1BRB0D56	386	F1B	40.00	1.15	8.90	70.0	12.992	115/208-230	3;9;13
		3600	56	001560T1BRB056-S	450	F2B	40.00	1.15	6.2	70.0	12.992	115/208-230	3;9;13
		1800	D56	001580S1BRB0D56	491	F1B	37.00	1.15	9.70	73.0	12.992	115/208-230	3;9;13
		1800	56	001580T1BRB056-S	510	F2B	37.00	1.15	6.8	83.8	13.071	115/208-230	3;9;13

Please refer to back cover for description of "NOTES"

For detailed specifications, data sheets, drawings and performance curves visit <http://catalog.wegelectric.com>

Data subject to change without notice.



## THREE-PHASE

### TEFC

HP	KW	RPM	Frame Size	Catalog Number	List Price	Mult. Symbol	Approx. Shipping Weight (lbs)	Service Factor	FL Amps @ High	FL Eff. (%)	"C" Dimension (in)	Voltage (V)	Notes
0.25	0.18	3600	56	.2536ES3E56-S	237	F1	22.00	1.15	0.46	57.5	11.142	208-230/460	9
		1800	56	.2518ES3E56-S	249	F1	23.00	1.15	0.52	70.0	11.146	208-230/460	9
0.33	0.25	3600	56	.3336ES3E56-S	249	F1	22.00	1.15	0.60	62.0	11.142	208-230/460	9
		1800	56	.3318ES3E56-S	253	F1	24.00	1.15	0.62	74.0	11.535	208-230/460	9
0.50	0.37	3600	56	.5036ES3E56-S	258	F1	24.00	1.15	0.84	68.0	11.539	208-230/460	9
		1800	56	.5018ES3E56-S	287	F1	26.00	1.15	0.86	77.0	11.539	208-230/460	9
		1800	56	.5018ES3H56-S	288	F1	26.00	1.15	0.69	77.0	11.539	575	9
		1200	56	.5012ES3E56-S	417	F1	30.00	1.15	0.99	72.0	12.323	208-230/460	9
0.75	0.55	3600	56	.7536ES3E56-S	287	F1	25.00	1.15	1.13	72.0	11.535	208-230/460	9
		3600	56	.7536ES3H56-S	288	F1	25.00	1.15	0.90	72.0	11.535	575	9
		3600	B56	.7536ES3EB56	287	F1	40.00	1.15	1.10	77.0	11.102	208-230/460	9
		1800	56	.7518ES3E56-S	311	F1	27.00	1.15	1.22	78.5	11.929	208-230/460	9
		1200	56H	.7512ES3E56-S	427	F1	34.00	1.15	1.34	75.5	12.72	208-230/460	9
1	0.75	3600	56	00136ES3E56-S	338	F1	28.00	1.15	1.51	74.0	11.933	208-230/460	9
		3600	56	00136ES3H56-S	338	F1	28.00	1.15	1.21	74.0	11.933	575	9
		1800	56	00118ES3E56-S	321	F1	32.00	1.15	1.66	80.0	12.323	208-230/460	9
		1800	56	00118ES3H56-S	322	F1	32.00	1.15	1.33	80.0	12.323	575	9
		1800	143/5T	00118ET3E143T-S	459	RSP	43.00	1.15	1.47	85.5	13.583	208-230/460	9
		1200	56H	00112ES3E56-S	432	F1	39.00	1.15	1.67	77.0	13.504	208-230/460	9
		1200	143/5T	00112ET3E145T-S	529	RSP	43.00	1.15	1.58	82.5	13.583	208-230/460	9
		1200	143/5T	00112ET3H145T-S	529	RSP	43.00	1.15	1.27	82.5	13.583	575	9
1.5	1.1	3600	56	00156ES3E56-S	370	F1	31.00	1.15	1.99	77.0	12.323	208-230/460	9
		3600	143/5T	00156ET3E143T-S	473	RSP	39.00	1.15	1.87	84.0	13.189	208-230/460	9
		1800	56H	00158ES3E56-S	362	F1	36.00	1.15	2.23	81.5	13.11	208-230/460	9
		1800	143/5T	00158ET3E145T-S	480	RSP	43.00	1.15	2.02	86.5	13.583	208-230/460	9
		1800	143/5T	00158ET3H145T-S	480	RSP	43.00	1.15	1.62	86.5	13.583	575	9
		1200	182/4T	00152ET3E182T-S	656	RSP	73.00	1.15	2.22	87.5	16.339	208-230/460	9
		1200	182/4T	00152ET3H182T-S	656	RSP	73.00	1.15	1.78	87.5	16.339	575	9
2	1.5	3600	56H	00236ES3E56-S	414	F1	36.00	1.15	2.57	81.5	13.114	208-230/460	9
		3600	143/5T	00236ET3E145T-S	514	RSP	45.00	1.15	2.47	85.5	13.976	208-230/460	9
		3600	143/5T	00236ET3H145T-S	514	RSP	45.00	1.15	1.98	85.5	13.976	575	9
		1800	56H	00218ES3E56-S	392	F1	41.00	1.15	2.85	82.5	13.504	208-230/460	9
		1800	143/5T	00218ET3E145T-S	533	RSP	47.00	1.15	2.72	86.5	13.976	208-230/460	9
		1800	143/5T	00218ET3H145T-S	533	RSP	47.00	1.15	2.18	86.5	13.976	575	9
		1200	182/4T	00212ET3E184T-S	713	RSP	83.00	1.15	3.00	88.5	17.126	208-230/460	9
		1200	182/4T	00212ET3H184T-S	713	RSP	83.00	1.15	2.40	88.5	17.126	575	9

continued on next page

Please refer to back cover for description of "NOTES"

For detailed specifications, data sheets, drawings and performance curves visit <http://catalog.wegelectric.com>

Data subject to change without notice.



# Foot Mount General Purpose Motors

## THREE-PHASE

### TEFC - continued

HP	KW	RPM	Frame Size	Catalog Number	List Price	Mult. Symbol	Approx. Shipping Weight (lbs)	Service Factor	FL Amps @ High	FL Eff. (%)	"C" Dimension (in)	Voltage (V)	Notes
3	2.2	3600	56H	<b>00336ES3E56-S</b>	<b>484</b>	F1	43.00	1.15	3.76	81.5	13.898	208-230/460	9
		3600	182/4T	<b>00336ET3E182T-S</b>	<b>665</b>	RSP	71.00	1.15	3.67	86.5	16.339	208-230/460	9
		3600	182/4T	<b>00336ET3H182T-S</b>	<b>665</b>	RSP	71.00	1.15	2.94	86.5	16.339	575	9
		1800	182/4T	<b>00318ET3E182T-S</b>	<b>577</b>	RSP	87.00	1.15	3.81	89.5	17.894	208-230/460	9
		1800	182/4T	<b>00318ET3H182T-S</b>	<b>577</b>	RSP	87.00	1.15	3.05	89.5	17.894	575	9
		1200	213/5T	<b>00312ET3E213T-S</b>	<b>983</b>	RSP	142.00	1.15	4.17	89.5	19.291	208-230/460	9
		1200	213/5T	<b>00312ET3H213T-S</b>	<b>983</b>	RSP	142.00	1.15	3.34	89.5	19.291	575	9
5	3.7	3600	182/4T	<b>00536ET3E184T-S</b>	<b>760</b>	RSP	86.00	1.15	5.90	88.5	17.894	208-230/460	9
		3600	182/4T	<b>00536ET3H184T-S</b>	<b>760</b>	RSP	86.00	1.15	4.72	88.5	17.894	575	9
		1800	182/4T	<b>00518ET3E184T-S</b>	<b>672</b>	RSP	79.00	1.15	6.49	89.5	17.894	208-230/460	9
		1800	182/4T	<b>00518ET3H184T-S</b>	<b>672</b>	RSP	79.00	1.15	5.19	89.5	17.894	575	9
		1200	213/5T	<b>00512ET3E215T-S</b>	<b>1,160</b>	RSP	156.00	1.15	6.74	89.5	20.079	208-230/460	9
		1200	213/5T	<b>00512ET3H215T-S</b>	<b>1,160</b>	RSP	156.00	1.15	5.39	89.5	20.079	575	9
7.5	5.5	3600	213/5T	<b>00736ET3E213T-S</b>	<b>980</b>	RSP	144.00	1.15	8.67	89.5	20.079	208-230/460	9
		3600	213/5T	<b>00736ET3H213T-S</b>	<b>980</b>	RSP	144.00	1.15	6.93	89.5	20.079	575	9
		1800	213/5T	<b>00718ET3E213T-S</b>	<b>948</b>	RSP	131.00	1.15	9.07	91.7	18.898	208-230/460	9
		1800	213/5T	<b>00718ET3H213T-S</b>	<b>948</b>	RSP	131.00	1.15	7.26	91.7	18.898	575	9
		1200	254/6T	<b>00712ET3E254T-S</b>	<b>1,799</b>	RSP	248.00	1.15	9.98	91.0	22.559	208-230/460	9
		1200	254/6T	<b>00712ET3H254T-S</b>	<b>1,799</b>	RSP	248.00	1.15	7.99	91.0	22.559	575	9
10	7.5	3600	213/5T	<b>01036ET3E215T-S</b>	<b>1,160</b>	RSP	173.00	1.15	11.5	90.2	21.654	208-230/460	9
		3600	213/5T	<b>01036ET3H215T-S</b>	<b>1,160</b>	RSP	173.00	1.15	9.20	90.2	21.654	575	9
		1800	213/5T	<b>01018ET3E215T-S</b>	<b>1,110</b>	RSP	142.00	1.15	12.2	91.7	19.291	208-230/460	9
		1800	213/5T	<b>01018ET3H215T-S</b>	<b>1,110</b>	RSP	142.00	1.15	9.80	91.7	19.291	575	9
		1200	254/6T	<b>01012ET3E256T-S</b>	<b>2,088</b>	RSP	277.00	1.15	13.8	91.0	23.346	208-230/460	9
		1200	254/6T	<b>01012ET3H256T-S</b>	<b>2,088</b>	RSP	277.00	1.15	11.0	91.0	23.346	575	9
15	11	3600	254/6T	<b>01536ET3E254T-S</b>	<b>1,589</b>	RSP	220.00	1.15	17.4	91.0	22.559	208-230/460	9
		3600	254/6T	<b>01536ET3H254T-S</b>	<b>1,589</b>	RSP	220.00	1.15	14.0	91.0	22.559	575	9
		1800	254/6T	<b>01518ET3E254T-S</b>	<b>1,610</b>	RSP	242.00	1.15	18.2	92.4	22.559	208-230/460	9
		1800	254/6T	<b>01518ET3H254T-S</b>	<b>1,610</b>	RSP	242.00	1.15	14.6	92.4	22.559	575	9
20	15	3600	254/6T	<b>02036ET3E256T-S</b>	<b>2,076</b>	RSP	256.00	1.15	22.7	91.0	23.346	208-230/460	9
		3600	254/6T	<b>02036ET3H256T-S</b>	<b>2,076</b>	RSP	256.00	1.15	18.2	91.0	23.346	575	9
		1800	254/6T	<b>02018ET3E256T-S</b>	<b>1,918</b>	RSP	271.00	1.15	24.5	92.4	23.346	208-230/460	9
		1800	254/6T	<b>02018ET3H256T-S</b>	<b>1,918</b>	RSP	271.00	1.15	19.6	92.4	23.346	575	9

Please refer to back cover for description of "NOTES"

For detailed specifications, data sheets, drawings and performance curves visit <http://catalog.wegelectric.com>

Data subject to change without notice.



## THREE-PHASE TEFC - AEGIS® Ring

HP	KW	RPM	Frame Size	Catalog Number	List Price	Mult. Symbol	Approx. Shipping Weight (lbs)	Service Factor	FL Amps @ High	FL Eff. (%)	"C" Dimension (in)	Voltage (V)	Notes
1	0.75	1800	143/5T	<a href="#">00118ET3E143T-SG</a>	599	RSP	43.00	1.15	1.47	85.5	13.583	208-230/460	9;11;34
		1800	143/5T	<a href="#">00118ET3H143T-SG</a>	599	RSP	43.00	1.15	1.18	85.5	13.583	575	9;34
		1800	143/5T	<a href="#">00118ET3V143T-SG</a>	599	RSP	43.00	1.15	1.69	85.5	13.583	200/400	9;34
		1200	143/5T	<a href="#">00112ET3E145T-SG</a>	669	RSP	43.00	1.15	1.58	82.5	13.583	208-230/460	9;34
1.5	1.1	3600	143/5T	<a href="#">00156ET3E143T-SG</a>	613	RSP	39.00	1.15	1.87	84.0	13.189	208-230/460	9;11;34
		1800	143/5T	<a href="#">00158ET3E145T-SG</a>	620	RSP	43.00	1.15	2.02	86.5	13.583	208-230/460	9;11;34
		1800	143/5T	<a href="#">00158ET3H145T-SG</a>	620	RSP	43.00	1.15	1.62	86.5	13.583	575	9;34
		1800	143/5T	<a href="#">00158ET3V145T-SG</a>	620	RSP	43.00	1.15	2.32	86.5	13.583	200/400	9;34
		1200	182/4T	<a href="#">00152ET3E182T-SG</a>	826	RSP	73.00	1.15	2.22	87.5	16.339	208-230/460	9;34
2	1.5	3600	143/5T	<a href="#">00236ET3E145T-SG</a>	654	RSP	45.00	1.15	2.47	85.5	13.976	208-230/460	9;11;34
		3600	143/5T	<a href="#">00236ET3H145T-SG</a>	654	RSP	45.00	1.15	1.98	85.5	13.976	575	9;11;34
		1800	143/5T	<a href="#">00218ET3E145T-SG</a>	673	RSP	47.00	1.15	2.72	86.5	13.976	208-230/460	9;11;34
		1800	143/5T	<a href="#">00218ET3H145T-SG</a>	673	RSP	47.00	1.15	2.18	86.5	13.976	575	9;34
		1800	143/5T	<a href="#">00218ET3V145T-SG</a>	673	RSP	47.00	1.15	3.13	86.5	13.976	200/400	9;34
		1200	182/4T	<a href="#">00212ET3E184T-SG</a>	883	RSP	83.00	1.15	3.00	88.5	17.126	208-230/460	9;34
3	2.2	3600	182/4T	<a href="#">00336ET3E182T-SG</a>	835	RSP	71.00	1.15	3.67	86.5	16.339	208-230/460	9;11;34
		3600	182/4T	<a href="#">00336ET3H182T-SG</a>	835	RSP	71.00	1.15	2.94	86.5	16.339	575	9;11;34
		1800	182/4T	<a href="#">00318ET3E182T-SG</a>	747	RSP	87.00	1.15	3.81	89.5	17.894	208-230/460	9;11;34
		1800	182/4T	<a href="#">00318ET3H182T-SG</a>	747	RSP	87.00	1.15	3.05	89.5	17.894	575	9;34
		1800	182/4T	<a href="#">00318ET3V182T-SG</a>	747	RSP	87.00	1.15	4.38	89.5	17.894	200/400	9;34
		1200	213/5T	<a href="#">00312ET3E213T-SG</a>	1,183	RSP	142.00	1.15	4.17	89.5	19.291	208-230/460	9;34
5	3.7	3600	182/4T	<a href="#">00536ET3E184T-SG</a>	930	RSP	86.00	1.15	5.90	88.5	17.894	208-230/460	9;11;34
		3600	182/4T	<a href="#">00536ET3H184T-SG</a>	930	RSP	86.00	1.15	4.72	88.5	17.894	575	9;11;34
		1800	182/4T	<a href="#">00518ET3E184T-SG</a>	842	RSP	79.00	1.15	6.49	89.5	17.894	208-230/460	9;11;34
		1800	182/4T	<a href="#">00518ET3H184T-SG</a>	842	RSP	79.00	1.15	5.19	89.5	17.894	575	9;34
		1800	182/4T	<a href="#">00518ET3V184T-SG</a>	842	RSP	79.00	1.15	7.46	89.5	17.894	200/400	9;34
		1200	213/5T	<a href="#">00512ET3E215T-SG</a>	1,360	RSP	156.00	1.15	6.74	89.5	20.079	208-230/460	9;34
7.5	5.5	3600	213/5T	<a href="#">00736ET3E213T-SG</a>	1,180	RSP	144.00	1.15	8.67	89.5	20.079	208-230/460	9;11;34
		3600	213/5T	<a href="#">00736ET3H213T-SG</a>	1,180	RSP	144.00	1.15	6.93	89.5	20.079	575	9;11;34
		1800	213/5T	<a href="#">00718ET3E213T-SG</a>	1,148	RSP	131.00	1.15	9.07	91.7	18.898	208-230/460	9;11;34
		1800	213/5T	<a href="#">00718ET3H213T-SG</a>	1,148	RSP	131.00	1.15	7.26	91.7	18.898	575	9;34
		1800	213/5T	<a href="#">00718ET3V213T-SG</a>	1,148	RSP	131.00	1.15	10.4	91.7	18.898	200/400	9;34
		1200	254/6T	<a href="#">00712ET3E254T-SG</a>	2,079	RSP	248.00	1.15	9.98	91.0	22.559	208-230/460	9;34
10	7.5	3600	213/5T	<a href="#">01036ET3E215T-SG</a>	1,360	RSP	173.00	1.15	11.5	90.2	21.654	208-230/460	9;11;34
		3600	213/5T	<a href="#">01036ET3H215T-SG</a>	1,360	RSP	173.00	1.15	9.20	90.2	21.654	575	9;11;34
		1800	213/5T	<a href="#">01018ET3E215T-SG</a>	1,310	RSP	142.00	1.15	12.2	91.7	19.291	208-230/460	9;11;34
		1800	213/5T	<a href="#">01018ET3H215T-SG</a>	1,310	RSP	142.00	1.15	9.76	91.7	19.291	575	9;34
		1800	213/5T	<a href="#">01018ET3V215T-SG</a>	1,310	RSP	142.00	1.15	14.0	91.7	19.291	200/400	9;34
		1200	254/6T	<a href="#">01012ET3E256T-SG</a>	2,368	RSP	277.00	1.15	13.8	91.0	23.346	208-230/460	9;34
		1200	254/6T	<a href="#">01012ET3H256T-SG</a>	2,368	RSP	277.00	1.15	11.0	91.0	23.346	575	9;34

continued on next page

Please refer to back cover for description of "NOTES"

For detailed specifications, data sheets, drawings and performance curves visit <http://catalog.wegelectric.com>

Data subject to change without notice.



# Foot Mount General Purpose Motors

## THREE-PHASE

### TEFC - AEGIS® Ring - *continued*

HP	KW	RPM	Frame Size	Catalog Number	List Price	Mult. Symbol	Approx. Shipping Weight (lbs)	Service Factor	FL Amps @ High	FL Eff. (%)	"C" Dimension (in)	Voltage (V)	Notes
15	11	3600	254/6T	<b>01536ET3E254T-SG</b>	<b>1,869</b>	RSP	220.00	1.15	17.4	91.0	22.559	208-230/460	9;11;34
		3600	254/6T	<b>01536ET3H254T-SG</b>	<b>1,869</b>	RSP	220.00	1.15	14.0	91.0	22.559	575	9;11;34
		1800	254/6T	<b>01518ET3E254T-SG</b>	<b>1,890</b>	RSP	242.00	1.15	18.2	92.4	22.559	208-230/460	9;11;34
		1800	254/6T	<b>01518ET3H254T-SG</b>	<b>1,890</b>	RSP	242.00	1.15	14.6	92.4	22.559	575	9;34
		1800	254/6T	<b>01518ET3V254T-SG</b>	<b>1,890</b>	RSP	242.00	1.15	20.9	92.4	22.559	200/400	9;34
20	15	3600	254/6T	<b>02036ET3E256T-SG</b>	<b>2,356</b>	RSP	256.00	1.15	22.7	91.0	23.346	208-230/460	9;11;34
		3600	254/6T	<b>02036ET3H256T-SG</b>	<b>2,356</b>	RSP	256.00	1.15	18.2	91.0	23.346	575	9;11;34
		1800	254/6T	<b>02018ET3E256T-SG</b>	<b>2,198</b>	RSP	271.00	1.15	24.5	92.4	23.346	208-230/460	9;11;34
		1800	254/6T	<b>02018ET3H256T-SG</b>	<b>2,198</b>	RSP	271.00	1.15	19.6	92.4	23.346	575	9;34
		1800	254/6T	<b>02018ET3V256T-SG</b>	<b>2,198</b>	RSP	271.00	1.15	28.2	92.4	23.346	200/400	9;34

Please refer to back cover for description of "NOTES"

For detailed specifications, data sheets, drawings and performance curves visit <http://catalog.wegelectric.com>

Data subject to change without notice.



## THREE-PHASE

### ODP

HP	KW	RPM	Frame Size	Catalog Number	List Price	Mult. Symbol	Approx. Shipping Weight (lbs)	Service Factor	FL Amps @ High	FL Eff. (%)	"C" Dimension (in)	Voltage (V)	Notes
0.25	0.18	3600	56	.25360S3E56-S	201	F1B	21.00	1.35	0.49	64.0	10.315	208-230/460	9
		3600	56	.25360T3E56-S	231	F2B	21.00	1.35	0.46	65.6	10.315	208-230/460	9
		1800	56	.25180S3E56-S	204	F1B	21.00	1.35	0.57	66.0	9.921	208-230/460	9
		1800	56	.25180T3E56-S	235	F2B	21.00	1.35	0.53	69.5	9.921	208-230/460	9
		1200	56	.25120S3E56-S	254	F1B	22.00	1.35	0.60	64.0	10.315	208-230/460	9
		1200	56	.25120T3E56-S	288	F2B	22.00	1.35	0.55	67.5	10.315	208-230/460	9
0.33	0.25	3600	56	.33360S3E56-S	208	F1B	21.00	1.35	0.66	66.0	10.315	208-230/460	9
		3600	56	.33360T3E56-S	242	F2B	21.00	1.35	0.61	69.5	10.315	208-230/460	9
		1800	56	.33180S3E56-S	221	F1B	21.00	1.35	0.72	68.0	9.921	208-230/460	9
		1800	56	.33180T3E56-S	256	F2B	21.00	1.35	0.67	73.4	9.921	208-230/460	9
		1200	56	.33120S3E56-S	292	F1B	23.00	1.35	0.76	68.0	10.315	208-230/460	9
		1200	56	.33120T3E56-S	333	F2B	23.00	1.35	0.70	71.4	10.315	208-230/460	9
0.50	0.37	3600	56	.50360S3E56-S	221	F1B	21.00	1.25	0.95	68.0	10.315	208-230/460	9
		3600	56	.50360T3E56-S	258	F2B	21.00	1.25	0.81	73.4	10.315	208-230/460	9
		1800	56	.50180S3E56-S	253	F1B	22.00	1.25	0.98	72.0	10.315	208-230/460	9
		1800	56	.50180T3E56-S	296	F2B	22.00	1.25	0.86	78.2	10.315	208-230/460	9
		1200	56	.50120S3E56-S	304	F1B	26.00	1.25	0.99	72.0	10.709	208-230/460	9
		1200	56	.50120T3E56-S	349	F2B	26.00	1.25	0.93	75.3	10.709	208-230/460	9
0.75	0.55	3600	56	.75360S3E56-S	259	F1B	23.00	1.25	1.26	72.0	10.709	208-230/460	9
		3600	56	.75360T3E56-S	305	F2B	23.00	1.25	1.14	76.8	10.709	208-230/460	9
		1800	56	.75180S3E56-S	282	F1B	25.00	1.25	1.34	75.5	10.709	208-230/460	9
		1800	56	.75180T3E56-S	330	F2B	25.00	1.25	1.26	81.1	10.709	208-230/460	9
		1200	56H	.75120S3E56-S	332	F1B	31.00	1.15	1.29	75.5	11.496	208-230/460	9
		1200	56H	.75120T3E56-S	384	F2B	31.00	1.15	1.26	81.7	11.496	208-230/460	9
1	0.75	3600	56	001360S3E56-S	300	F1B	24.00	1.25	1.61	74.0	10.709	208-230/460	9
		3600	56	001360T3E56-S	355	F2B	24.00	1.25	1.51	77.0	10.709	208-230/460	9
		1800	56	001180S3E56-S	299	F1B	28.00	1.15	1.80	77.0	10.709	208-230/460	9
		1800	56	001180T3E56-S	350	F2B	28.00	1.15	1.57	83.5	10.709	208-230/460	9
		1800	143/5T	001180T3E143T-S	390	N1S	39.00	1.15	1.51	85.5	11.181	208-230/460	9
		1800	143/5T	001180T3H143T-S	390	N1S	39.00	1.15	1.21	85.5	11.181	575	9
		1800	143/5T	001180T3P143T-S	390	N1S	39.00	1.15	3.47	85.5	11.181	200	9
		1200	56H	001120S3E56-S	394	F1B	35.00	1.15	1.70	77.0	11.890	208-230/460	9
		1200	56H	001120T3E56-S	458	F2B	35.00	1.15	1.68	82.5	11.890	208-230/460	9
		1200	143/5T	001120T3E145T-S	446	N1S	40.00	1.15	1.65	82.5	11.181	208-230/460	9
1200	143/5T	001120T3H145T-S	446	N1S	40.00	1.15	1.32	82.5	11.181	575	9		
1.5	1.1	3600	56	001560S3E56-S	320	F1B	27.00	1.15	2.16	77.0	11.102	208-230/460	9
		3600	56	001560T3E56-S	380	F2B	27.00	1.15	1.85	84.0	11.102	208-230/460	9
		3600	143/5T	001560T3E143T-S	442	N1S	34.00	1.15	1.85	84.0	11.181	208-230/460	9
		3600	143/5T	001560T3H143T-S	442	N1S	34.00	1.15	1.48	84.0	11.181	575	9
		1800	143/5T	001580T3E145T-S	449	N1S	47.00	1.15	2.07	86.5	12.362	208-230/460	9
		1800	56H	001580S3E56-S	305	F1B	32.00	1.15	2.30	80.0	11.496	208-230/460	9
		1800	56H	001580T3E56-S	361	F2B	32.00	1.15	2.10	86.5	11.496	208-230/460	9
		1800	143/5T	001580T3H145T-S	449	N1S	47.00	1.15	1.66	86.5	12.362	575	9
		1800	143/5T	001580T3P145T-S	449	N1S	47.00	1.15	4.77	86.5	12.362	200	9
		1200	182/4T	001520T3E182T-S	588	N1S	63.00	1.15	2.25	86.5	13.957	208-230/460	9

continued on next page

Please refer to back cover for description of "NOTES"

For detailed specifications, data sheets, drawings and performance curves visit <http://catalog.wegelectric.com>

Data subject to change without notice.



# Foot Mount General Purpose Motors

## THREE-PHASE

ODP - continued

HP	KW	RPM	Frame Size	Catalog Number	List Price	Mult. Symbol	Approx. Shipping Weight (lbs)	Service Factor	FL Amps @ High	FL Eff. (%)	"C" Dimension (in)	Voltage (V)	Notes
2	1.5	3600	56H	002360S3E56-S	365	F1B	32.00	1.15	2.82	78.5	11.890	208-230/460	9
		3600	56H	002360T3E56-S	436	F2B	32.00	1.15	2.42	85.5	11.890	208-230/460	9
		3600	143/5T	002360T3E145T-S	487	N1S	42.00	1.15	2.42	85.5	11.969	208-230/460	9
		3600	143/5T	002360T3H145T-S	487	N1S	42.00	1.15	1.94	85.5	11.969	575	9
		1800	56H	002180S3E56-S	324	F1B	35.00	1.15	3.11	78.5	11.890	208-230/460	9
		1800	56H	002180T3E56-S	371	F2B	35.00	1.15	2.69	86.5	11.890	208-230/460	9
		1800	143/5T	002180T3E145T-S	492	N1S	44.00	1.15	2.69	86.5	12.362	208-230/460	9
		1800	143/5T	002180T3H145T-S	492	N1S	44.00	1.15	2.15	86.5	12.362	575	9
		1800	143/5T	002180T3P145T-S	492	N1S	44.00	1.15	6.18	86.5	12.362	200	9
		1200	182/4T	002120T3E184T-S	597	N1S	73.00	1.15	2.95	87.5	14.744	208-230/460	9
		1200	182/4T	002120T3H184T-S	597	N1S	73.00	1.15	2.36	87.5	14.744	575	9
3	2.2	3600	56H	003360S3E56-S	405	F1B	35.00	1.15	3.89	81.5	12.283	208-230/460	9
		3600	56H	003360T3E56-S	485	F2B	35.00	1.15	3.59	85.5	12.283	208-230/460	9
		3600	143/5T	003360T3E145T-S	545	N1S	45.00	1.15	3.59	85.5	12.362	208-230/460	9
		3600	143/5T	003360T3H145T-S	545	N1S	45.00	1.15	2.87	85.5	12.362	575	9
		1800	182/4T	003180T3E182T-S	524	N1S	73.00	1.15	3.86	89.5	15.138	208-230/460	9
		1800	182/4T	003180T3H182T-S	524	N1S	73.00	1.15	3.09	89.5	15.138	575	9
		1800	182/4T	003180T3P182T-S	523	N1S	73.00	1.15	8.87	89.5	15.138	200	9
		1800	182/4T	003180T3V182T-S	524	N1S	73.00	1.15	4.44	89.5	15.138	200/400	9
		1200	213/5T	003120T3E213T-S	775	N1S	110.00	1.15	4.16	88.5	16.575	208-230/460	9
		1200	213/5T	003120T3H213T-S	775	N1S	110.00	1.15	3.33	88.5	16.575	575	9
5	3.7	3600	182/4T	005360T3E182T-S	651	N1S	66.00	1.15	6.10	86.5	14.764	208-230/460	9
		3600	182/4T	005360T3H182T-S	651	N1S	66.00	1.15	4.88	86.5	14.764	575	9
		3600	182/4T	005360T3V182T-S	651	N1S	66.00	1.15	7.02	86.5	14.764	200/400	9
		1800	182/4T	005180T3E184T-S	630	N1S	87.00	1.15	6.33	89.5	16.319	208-230/460	9
5	3.7	1800	182/4T	005180T3H184T-S	630	N1S	87.00	1.15	5.06	89.5	16.319	575	9
		1800	182/4T	005180T3P184T-S	629	N1S	87.00	1.15	14.6	89.5	16.319	200	9
		1800	182/4T	005180T3V184T-S	630	N1S	87.00	1.15	7.28	89.5	16.319	200/400	9
		1200	213/5T	005120T3E215T-S	1,057	N1S	129.00	1.15	6.74	89.5	16.969	208-230/460	9
		1200	213/5T	005120T3H215T-S	1,057	N1S	129.00	1.15	5.39	89.5	16.969	575	9
7.5	5.5	3600	182/4T	007360T3E184T-S	920	N1S	77.00	1.15	8.67	88.5	15.138	208-230/460	9
		3600	182/4T	007360T3H184T-S	920	N1S	77.00	1.15	6.93	88.5	15.138	575	9
		1800	213/5T	007180T3E213T-S	910	N1S	128.00	1.15	9.14	91.0	16.575	208-230/460	9
		1800	213/5T	007180T3H213T-S	910	N1S	128.00	1.15	7.31	91.0	16.575	575	9
		1800	213/5T	007180T3P213T-S	910	N1S	128.00	1.15	21.0	91.0	16.575	200	9
		1200	254/6T	007120T3E254T-S	1,467	N1S	231.00	1.15	10.2	90.2	20.472	208-230/460	9
		1200	254/6T	007120T3H254T-S	1,467	N1S	231.00	1.15	8.16	90.2	20.472	575	9
		10	7.5	3600	213/5T	010360T3E213T-S	1,081	N1S	128.00	1.15	12.0	89.5	16.969
3600	213/5T			010360T3H213T-S	1,081	N1S	128.00	1.15	9.60	89.5	16.969	575	9
1800	213/5T			010180T3E215T-S	1,102	N1S	149.00	1.15	12.4	91.7	17.756	208-230/460	9
1800	213/5T			010180T3H215T-S	1,102	N1S	149.00	1.15	9.90	91.7	17.756	575	9
1800	213/5T			010180T3P215T-S	1,101	N1S	149.00	1.15	28.4	91.7	17.756	200	9
1200	254/6T			010120T3E256T-S	1,717	N1S	254.00	1.15	13.9	91.7	20.472	208-230/460	9
1200	254/6T			010120T3H256T-S	1,717	N1S	254.00	1.15	11.1	91.7	20.472	575	9

continued on next page

Please refer to back cover for description of "NOTES"

For detailed specifications, data sheets, drawings and performance curves visit <http://catalog.wegelectric.com>

Data subject to change without notice.



## THREE-PHASE

ODP - *continued*

HP	KW	RPM	Frame Size	Catalog Number	List Price	Mult. Symbol	Approx. Shipping Weight (lbs)	Service Factor	FL Amps @ High	FL Eff. (%)	"C" Dimension (in)	Voltage (V)	Notes
15	11	3600	213/5T	<b>015360T3E215T-S</b>	<b>1,492</b>	N1S	143.00	1.15	17.2	90.2	17.756	208-230/460	9
		3600	213/5T	<b>015360T3H215T-S</b>	<b>1,492</b>	N1S	143.00	1.15	13.8	90.2	17.756	575	9
		1800	254/6T	<b>015180T3E254T-S</b>	<b>1,477</b>	N1S	220.00	1.15	18.3	93.0	20.472	208-230/460	9
		1800	254/6T	<b>015180T3H254T-S</b>	<b>1,477</b>	N1S	220.00	1.15	14.7	93.0	20.472	575	9
		1800	254/6T	<b>015180T3P254T-S</b>	<b>1,380</b>	N1S	220.00	1.15	42.2	93.0	20.472	200	9
		1800	254/6T	<b>015180T3V254T-S</b>	<b>1,477</b>	N1S	220.00	1.15	21.1	93.0	20.472	200/400	9
20	15	3600	254/6T	<b>020360T3E254T-S</b>	<b>1,760</b>	N1S	196.00	1.15	23.8	91.0	20.472	208-230/460	9
		3600	254/6T	<b>020360T3H254T-S</b>	<b>1,760</b>	N1S	196.00	1.15	19.0	91.0	20.472	575	9
		1800	254/6T	<b>020180T3E256T-S</b>	<b>1,832</b>	N1S	243.00	1.15	24.7	93.0	20.472	208-230/460	9
		1800	254/6T	<b>020180T3H256T-S</b>	<b>1,832</b>	N1S	243.00	1.15	19.7	93.0	20.472	575	9
		1800	254/6T	<b>020180T3P256T-S</b>	<b>1,832</b>	N1S	243.00	1.15	56.8	93.0	20.472	200	9
		1800	254/6T	<b>020180T3V256T-S</b>	<b>1,832</b>	N1S	243.00	1.15	28.4	93.0	20.472	200/400	9
25	18.5	3600	254/6T	<b>025360T3E256T-S</b>	<b>2,139</b>	N1S	219.00	1.15	29.1	91.7	20.472	208-230/460	9
		3600	254/6T	<b>025360T3H256T-S</b>	<b>2,139</b>	N1S	219.00	1.15	23.3	91.7	20.472	575	9

Please refer to back cover for description of "NOTES"

For detailed specifications, data sheets, drawings and performance curves visit <http://catalog.wegelectric.com>

Data subject to change without notice.



# Foot Mount General Purpose Motors

## THREE-PHASE

### ODP - AEGIS® Ring

HP	KW	RPM	Frame Size	Catalog Number	List Price	Mult. Symbol	Approx. Shipping Weight (lbs)	Service Factor	FL Amps @ High	FL Eff. (%)	"C" Dimension (in)	Voltage (V)	Notes
1	0.75	1800	143/5T	<b>001180T3E143T-SG</b>	530	N1S	39.00	1.15	1.51	85.5	11.181	208-230/460	9;34
		1800	143/5T	<b>001180T3H143T-SG</b>	530	N1S	39.00	1.15	1.21	85.5	11.181	575	9;34
		1800	143/5T	<b>001180T3V143T-SG</b>	530	N1S	39.00	1.15	1.74	85.5	11.181	200/400	9;34
		1200	143/5T	<b>001120T3E145T-SG</b>	586	N1S	40.00	1.15	1.65	82.5	11.181	208-230/460	9;34
		1200	143/5T	<b>001120T3H145T-SG</b>	586	N1S	40.00	1.15	1.32	82.5	11.181	575	9;34
1.5	1.1	3600	143/5T	<b>001560T3E143T-SG</b>	582	N1S	34.00	1.15	1.85	84.0	11.181	208-230/460	9;34
		1800	143/5T	<b>001580T3E145T-SG</b>	589	N1S	47.00	1.15	2.07	86.5	12.362	208-230/460	9;34
		1800	143/5T	<b>001580T3H145T-SG</b>	589	N1S	47.00	1.15	1.66	86.5	12.362	575	9;34
		1800	143/5T	<b>001580T3V145T-SG</b>	589	N1S	47.00	1.15	2.38	86.5	12.362	200/400	9;34
		1200	182/4T	<b>001520T3E182T-SG</b>	758	N1S	63.00	1.15	2.25	86.5	13.957	208-230/460	9;34
2	1.5	3600	143/5T	<b>002360T3E145T-SG</b>	627	N1S	42.00	1.15	2.42	85.5	11.969	208-230/460	9;34
		1800	143/5T	<b>002180T3E145T-SG</b>	632	N1S	44.00	1.15	2.69	86.5	12.362	208-230/460	9;34
		1800	143/5T	<b>002180T3H145T-SG</b>	632	N1S	44.00	1.15	2.15	86.5	12.362	575	9;34
		1800	143/5T	<b>002180T3V145T-SG</b>	632	N1S	44.00	1.15	3.09	86.5	12.362	200/400	9;34
		1200	182/4T	<b>002120T3E184T-SG</b>	767	N1S	73.00	1.15	2.95	87.5	14.744	208-230/460	9;34
3	2.2	3600	143/5T	<b>003360T3E145T-SG</b>	685	N1S	45.00	1.15	3.59	85.5	12.362	208-230/460	9;34
		1800	182/4T	<b>003180T3E182T-SG</b>	694	N1S	73.00	1.15	3.86	89.5	15.138	208-230/460	9;34
		1800	182/4T	<b>003180T3H182T-SG</b>	694	N1S	73.00	1.15	3.09	89.5	15.138	575	9;34
		1800	182/4T	<b>003180T3V182T-SG</b>	694	N1S	73.00	1.15	4.44	89.5	15.138	200/400	9;34
		1200	213/5T	<b>003120T3E213T-SG</b>	975	N1S	110.00	1.15	4.16	88.5	16.575	208-230/460	9;34
		1200	213/5T	<b>003120T3H213T-SG</b>	975	N1S	110.00	1.15	3.33	88.5	16.575	575	9;34
5	3.7	3600	182/4T	<b>005360T3E182T-SG</b>	821	N1S	66.00	1.15	6.10	86.5	14.764	208-230/460	9;34
		1800	182/4T	<b>005180T3E184T-SG</b>	800	N1S	87.00	1.15	6.33	89.5	16.319	208-230/460	9;34
		1800	182/4T	<b>005180T3H184T-SG</b>	800	N1S	87.00	1.15	5.06	89.5	16.319	575	9;34
		1800	182/4T	<b>005180T3V184T-SG</b>	800	N1S	87.00	1.15	7.28	89.5	16.319	200/400	9;34
		1200	213/5T	<b>005120T3E215T-SG</b>	1,257	N1S	129.00	1.15	6.74	89.5	16.969	208-230/460	9;34
7.5	5.5	3600	182/4T	<b>007360T3E184T-SG</b>	1,090	N1S	77.00	1.15	8.67	88.5	15.138	208-230/460	9;34
		1800	213/5T	<b>007180T3E213T-SG</b>	1,110	N1S	128.00	1.15	9.14	91.0	16.575	208-230/460	9;34
		1800	213/5T	<b>007180T3H213T-SG</b>	1,110	N1S	128.00	1.15	7.31	91.0	16.575	575	9;34
		1800	213/5T	<b>007180T3V213T-SG</b>	1,110	N1S	128.00	1.15	10.5	91.0	16.575	200/400	9;34
		1200	254/6T	<b>007120T3E254T-SG</b>	1,747	N1S	231.00	1.15	10.2	90.2	20.472	208-230/460	9;34
		1200	254/6T	<b>007120T3H254T-SG</b>	1,747	N1S	231.00	1.15	8.16	90.2	20.472	575	9;34
10	7.5	3600	213/5T	<b>010360T3E213T-SG</b>	1,281	N1S	128.00	1.15	12.0	89.5	16.969	208-230/460	9;34
		1800	213/5T	<b>010180T3E215T-SG</b>	1,302	N1S	149.00	1.15	12.4	91.7	17.756	208-230/460	9;34
		1800	213/5T	<b>010180T3H215T-SG</b>	1,302	N1S	149.00	1.15	9.92	91.7	17.756	575	9;34
		1800	213/5T	<b>010180T3V215T-SG</b>	1,302	N1S	149.00	1.15	14.3	91.7	17.756	200/400	9;34
		1200	254/6T	<b>010120T3E256T-SG</b>	1,997	N1S	254.00	1.15	13.9	91.7	20.472	208-230/460	9;34
		1200	254/6T	<b>010120T3H256T-SG</b>	1,997	N1S	254.00	1.15	11.1	91.7	20.472	575	9;34
15	11	3600	213/5T	<b>015360T3E215T-SG</b>	1,692	N1S	143.00	1.15	17.2	90.2	17.756	208-230/460	9;34
		1800	254/6T	<b>015180T3E254T-SG</b>	1,757	N1S	220.00	1.15	18.3	93.0	20.472	208-230/460	9;34
		1800	254/6T	<b>015180T3H254T-SG</b>	1,757	N1S	220.00	1.15	14.6	93.0	20.472	575	9;34
		1800	254/6T	<b>015180T3V254T-SG</b>	1,757	N1S	220.00	1.15	21.0	93.0	20.472	200/400	9;34

continued on next page

Please refer to back cover for description of "NOTES"

For detailed specifications, data sheets, drawings and performance curves visit <http://catalog.wegelectric.com>

Data subject to change without notice.

## THREE-PHASE

### ODP - AEGIS® Ring - *continued*

HP	KW	RPM	Frame Size	Catalog Number	List Price	Mult. Symbol	Approx. Shipping Weight (lbs)	Service Factor	FL Amps @ High	FL Eff. (%)	"C" Dimension (in)	Voltage (V)	Notes
20	15	3600	254/6T	<b>020360T3E254T-SG</b>	<b>2,040</b>	N1S	196.00	1.15	23.8	91.0	20.472	208-230/460	9;34
		1800	254/6T	<b>020180T3E256T-SG</b>	<b>2,112</b>	N1S	243.00	1.15	24.7	93.0	20.472	208-230/460	9;34
		1800	254/6T	<b>020180T3H256T-SG</b>	<b>2,112</b>	N1S	243.00	1.15	19.8	93.0	20.472	575	9;34
		1800	254/6T	<b>020180T3V256T-SG</b>	<b>2,112</b>	N1S	243.00	1.15	28.4	93.0	20.472	200/400	9;34
25	18.5	3600	254/6T	<b>025360T3E256T-SG</b>	<b>2,419</b>	N1S	219.00	1.15	29.1	91.7	20.472	208-230/460	9;34



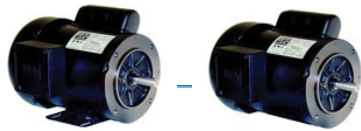
### ODP - Resilient Base

HP	KW	RPM	Frame Size	Catalog Number	List Price	Mult. Symbol	Approx. Shipping Weight (lbs)	Service Factor	FL Amps @ High	FL Eff. (%)	"C" Dimension (in)	Voltage (V)	Notes
0.33	0.25	1800	56	<b>.33180S3ERB56-S</b>	<b>279</b>	F1B	21.00	1.35	0.72	68.0	9.921	208-230/460	9;13
		1800	B56	<b>.33180S3ERBB56</b>	<b>279</b>	F1B	22.00	1.35	0.70	64.0	11.023	208-230/460	9;13
0.50	0.37	1800	56	<b>.50180S3ERB56-S</b>	<b>310</b>	F1B	22.00	1.25	0.98	72.0	10.315	208-230/460	9;13
		1800	B56	<b>.50180S3ERBB56</b>	<b>310</b>	F1B	26.00	1.25	0.92	70.0	11.023	208-230/460	9;13
0.75	0.55	1800	56	<b>.75180S3ERB56-S</b>	<b>339</b>	F1B	25.00	1.25	1.34	75.5	10.709	208-230/460	9;13
		1800	E56	<b>.75180S3ERBE56</b>	<b>339</b>	F1B	26.00	1.25	1.35	72.0	11.811	208-230/460	9;13
1	0.75	1800	56	<b>001180S3ERB56-S</b>	<b>356</b>	F1B	28.00	1.15	1.80	77.0	10.709	208-230/460	9;13
		1800	E56	<b>001180S3ERBE56</b>	<b>356</b>	F1B	29.00	1.15	1.70	74.0	11.811	208-230/460	9;13
1.5	1.1	1800	56H	<b>001580S3ERB56-S</b>	<b>364</b>	F1B	32.00	1.15	2.30	80.0	11.496	208-230/460	9;13
		1800	E56	<b>001580S3ERBE56</b>	<b>364</b>	F1B	35.00	1.15	2.30	77.0	12.992	208-230/460	9;13

Please refer to back cover for description of "NOTES"

For detailed specifications, data sheets, drawings and performance curves visit <http://catalog.wegelectric.com>

Data subject to change without notice.



JET PUMP SINGLE-PHASE (56C/56J FRAMES)

TEFC - Foot Mount

HP	KW	RPM	Frame Size	Catalog Number	List Price	Mult. Symbol	Approx. Shipping Weight (lbs)	Service Factor	FL Amps @ High	FL Eff. (%)	"C" Dimension (in)	Voltage (V)	Notes
0.33	0.25	3600	B56C	.3336ES1BJP56C	263	P1A	36.00	1.15	2.85	53.0	11.496	115/208-230	3;9
		3600	B56J	.3336ES1BJP56J	282	P1B	36.00	1.15	2.85	53.0	11.996	115/208-230	3;9
0.50	0.37	3600	B56C	.5036ES1BJP56C	284	P1A	40.00	1.15	3.80	58.0	11.496	115/208-230	3;9
		3600	B56J	.5036ES1BJP56J	300	P1B	40.00	1.15	3.80	58.0	11.996	115/208-230	3;9
0.75	0.55	3600	B56C	.7536ES1BJP56C	320	P1A	41.00	1.15	5.20	64.0	11.496	115/208-230	3;9
		3600	B56J	.7536ES1BJP56J	330	P1B	41.00	1.15	5.20	64.0	11.996	115/208-230	3;9
1	0.75	3600	D56C	00136ES1BJP56C	344	P1A	46.00	1.15	6.40	67.0	12.677	115/208-230	3;9
		3600	D56J	00136ES1BJP56J	374	P1B	46.00	1.15	6.40	67.0	13.150	115/208-230	3;9
1.5	1.1	3600	D56C	00156ES1BJP56C	412	P1A	56.00	1.15	8.55	70.0	12.677	115/208-230	3;9
		3600	D56J	00156ES1BJP56J	425	P1B	56.00	1.15	8.55	70.0	13.150	115/208-230	3;9
2	1.5	3600	F56HC	00236ES1BJP56C	487	P1A	65.00	1.15	10.0	74.0	13.858	115/208-230	3;9
		3600	F56HJ	00236ES1BJP56J	486	P1B	65.00	1.15	10.0	74.0	14.330	115/208-230	3;9
3	2.2	3600	G56HC	00336ES1DJP56C	548	P1A	78.00	1.15	13.0	80.0	14.252	230	3;9;19
		3600	G56HJ	00336ES1DJP56J	557	P1B	78.00	1.15	13.0	80.0	14.724	230	9;19

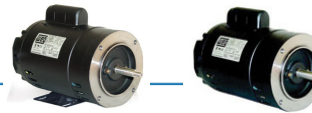
TEFC - Footless

HP	KW	RPM	Frame Size	Catalog Number	List Price	Mult. Symbol	Approx. Shipping Weight (lbs)	Service Factor	FL Amps @ High	FL Eff. (%)	"C" Dimension (in)	Voltage (V)	Notes
0.50	0.37	3600	B56J	.5036ES1BJPR56J	305	P1B	40.00	1.15	3.80	58.0	11.996	115/208-230	9;20
0.75	0.55	3600	B56C	.7536ES1BJPR56C	341	P1A	41.00	1.15	5.20	64.0	11.496	115/208-230	3;9;20
		3600	B56J	.7536ES1BJPR56J	336	P1B	41.00	1.15	5.20	64.0	11.996	115/208-230	9;20
		3600	56J	.7536ES1BJPR56J-S	336	P1B	41.00	1.15	4	66	12.721	115/208-230	9;20
1	0.75	3600	D56C	00136ES1BJPR56C	357	P1A	46.00	1.15	6.40	67.0	12.677	115/208-230	3;9;20
		3600	D56J	00136ES1BJPR56J	386	P1B	46.00	1.15	6.40	67.0	13.150	115/208-230	9;20
1.5	1.1	3600	D56C	00156ES1BJPR56C	432	P1A	56.00	1.15	8.55	70.0	12.677	115/208-230	3;9;20
		3600	D56J	00156ES1BJPR56J	438	P1B	56.00	1.15	8.55	70.0	13.150	115/208-230	9;20
2	1.5	3600	F56C	00236ES1BJPR56C	494	P1A	65.00	1.15	10.0	74.0	13.858	115/208-230	3;9;20
		3600	F56J	00236ES1BJPR56J	498	P1B	65.00	1.15	10.0	74.0	14.330	115/208-230	9;20
3	2.2	3600	G56C	00336ES1DJPR56C	555	P1A	78.00	1.15	13.0	80.0	14.252	230	3;9;19;20
		3600	G56J	00336ES1DJPR56J	573	P1B	78.00	1.15	13.0	80.0	14.724	230	9;19;20

Please refer to back cover for description of "NOTES"

For detailed specifications, data sheets, drawings and performance curves visit <http://catalog.wegelectric.com>

Data subject to change without notice.



## JET PUMP SINGLE-PHASE (56C/56J FRAMES)

### ODP - Foot Mount

HP	KW	RPM	Frame Size	Catalog Number	List Price	Mult. Symbol	Approx. Shipping Weight (lbs)	Service Factor	FL Amps @ High	FL Eff. (%)	"C" Dimension (in)	Voltage (V)	Notes
0.33	0.25	3600	W56J	.33360S1BJP56J	254	P1B	21.00	1.75	2.90	58.0	10.732	115/208-230	3;9
0.50	0.37	3600	W56J	.50360S1BJP56J	258	P1B	24.00	1.60	3.60	64.4	11.126	115/208-230	3;9
0.75	0.55	3600	W56J	.75360S1BJP56J	296	P1B	32.00	1.50	4.25	68.3	11.913	115/208-230	3;9
1	0.75	3600	E56J	001360S1BJP56J	334	P1B	36.00	1.40	6.80	66.3	12.031	115/208-230	3;9
1.5	1.1	3600	E56J	001560S1BJP56J	382	P1B	40.00	1.30	8.20	73.2	13.212	115/208-230	3;9
2	1.5	3600	E56J	002360S1BJP56J	438	P1B	48.00	1.20	10.4	77.3	14.000	115/208-230	3;9
3	2.2	3600	E56J	003360S1DJP56J	499	P1B	53.00	1.15	15.0	77.1	14.787	230	3;9

### ODP - Footless

HP	KW	RPM	Frame Size	Catalog Number	List Price	Mult. Symbol	Approx. Shipping Weight (lbs)	Service Factor	FL Amps @ High	FL Eff. (%)	"C" Dimension (in)	Voltage (V)	Notes
0.33	0.25	3600	W56C	.33360S1BJPR56C	237	P1A	21.00	1.75	2.90	58.0	10.232	115/208-230	3;9;20
		3600	W56J	.33360S1BJPR56J	255	P1B	21.00	1.75	2.90	58.0	10.732	115/208-230	3;9;20
0.50	0.37	3600	W56C	.50360S1BJPR56C	255	P1A	24.00	1.60	3.60	64.4	10.826	115/208-230	3;9;20
		3600	W56J	.50360S1BJPR56J	258	P1B	24.00	1.60	3.60	64.4	11.126	115/208-230	3;9;20
0.75	0.55	3600	W56C	.75360S1BJPR56C	297	P1A	32.00	1.50	4.25	68.3	11.413	115/208-230	3;9;20
		3600	W56J	.75360S1BJPR56J	296	P1B	32.00	1.50	4.25	68.3	11.913	115/208-230	3;9;20
1	0.75	3600	E56C	001360S1BJPR56C	317	P1A	36.00	1.40	6.80	66.3	11.531	115/208-230	3;9;20
		3600	E56J	001360S1BJPR56J	334	P1B	36.00	1.40	6.80	66.3	12.031	115/208-230	3;9;20
1.5	1.1	3600	E56C	001560S1BJPR56C	338	P1A	40.00	1.30	8.20	73.2	12.712	115/208-230	3;9;20
		3600	E56J	001560S1BJPR56J	382	P1B	40.00	1.30	8.20	73.2	13.212	115/208-230	3;9;20
2	1.5	3600	E56C	002360S1BJPR56C	424	P1A	58.00	1.20	10.4	77.3	13.500	115/208-230	3;9;20
		3600	E56J	002360S1BJPR56J	438	P1B	48.00	1.20	10.4	77.3	14.000	115/208-230	3;9;20
3	2.2	3600	E56C	003360S1DJPR56C	482	P1A	53.00	1.15	15.0	77.1	14.287	230	3;9;20
		3600	E56J	003360S1DJPR56J	499	P1B	53.00	1.15	15.0	77.1	14.787	230	3;9;20

Please refer to back cover for description of "NOTES"

For detailed specifications, data sheets, drawings and performance curves visit <http://catalog.wegelectric.com>

Data subject to change without notice.



JET PUMP THREE-PHASE (56C/56J FRAMES)

TEFC - Foot Mount

HP	KW	RPM	Frame Size	Catalog Number	List Price	Mult. Symbol	Approx. Shipping Weight (lbs)	Service Factor	FL Amps @ High	FL Eff. (%)	"C" Dimension (in)	Voltage (V)	Notes
0.33	0.25	3600	56J	.3336ES3EJP56J-S	259	P1B	22.00	1.15	0.60	62.0	11.654	208-230/460	9
0.50	0.37	3600	56J	.5036ES3EJP56J-S	267	P1B	24.00	1.15	0.84	68.0	12.047	208-230/460	9
0.75	0.55	3600	56J	.7536ES3EJP56J-S	301	P1B	25.00	1.15	1.13	72.0	12.047	208-230/460	9
		3600	56J	.7536ES3HJP56J-S	301	P1B	25.00	1.15	0.90	72.0	12.047	575	9
1	0.75	3600	56J	00136ES3EJP56J-S	344	P1B	28.00	1.15	1.51	74.0	12.441	208-230/460	9
		3600	56J	00136ES3HJP56J-S	344	P1B	28.00	1.15	1.21	74.0	12.441	575	9
1.5	1.1	3600	56J	00156ES3EJP56J-S	374	P1B	31.00	1.15	1.99	77.0	12.835	208-230/460	9
2	1.5	3600	56HJ	00236ES3EJP56J-S	421	P1B	36.00	1.15	2.57	81.5	13.622	208-230/460	9
3	2.2	3600	56HJ	00336ES3EJP56J-S	489	P1B	43.00	1.15	3.76	81.5	14.409	208-230/460	9

TEFC - Footless

HP	KW	RPM	Frame Size	Catalog Number	List Price	Mult. Symbol	Approx. Shipping Weight (lbs)	Service Factor	FL Amps @ High	FL Eff. (%)	"C" Dimension (in)	Voltage (V)	Notes
0.33	0.25	3600	56C	.3336ES3EJPR56C-S	257	P1A	22.00	1.15	0.60	62.0	11.142	208-230/460	9;20
		3600	56J	.3336ES3EJPR56J-S	268	P1B	22.00	1.15	0.60	62.0	11.654	208-230/460	9;20
0.50	0.37	3600	56C	.5036ES3EJPR56C-S	270	P1A	24.00	1.15	0.84	68.0	11.539	208-230/460	9;20
		3600	56J	.5036ES3EJPR56J-S	282	P1B	24.00	1.15	0.84	68.0	12.047	208-230/460	9;20
0.75	0.55	3600	56C	.7536ES3EJPR56C-S	293	P1A	25.00	1.15	1.13	72.0	11.535	208-230/460	9;20
		3600	56J	.7536ES3EJPR56J-S	319	P1B	25.00	1.15	1.13	72.0	12.047	208-230/460	9;20
1	0.75	3600	56C	00136ES3EJPR56C-S	346	P1A	28.00	1.15	1.51	74.0	11.933	208-230/460	9;20
		3600	56J	00136ES3EJPR56J-S	346	P1B	28.00	1.15	1.51	74.0	12.441	208-230/460	9;20
1.5	1.1	3600	56C	00156ES3EJPR56C-S	371	P1A	31.00	1.15	1.99	77.0	12.323	208-230/460	9;20
		3600	56J	00156ES3EJPR56J-S	378	P1B	31.00	1.15	1.99	77.0	12.835	208-230/460	9;20
2	1.5	3600	56HC	00236ES3EJPR56C-S	401	P1A	36.00	1.15	2.57	81.5	13.114	208-230/460	9;20
		3600	56HJ	00236ES3EJPR56J-S	430	P1B	36.00	1.15	2.57	81.5	13.622	208-230/460	9;20
3	2.2	3600	56HC	00336ES3EJPR56C-S	480	P1A	43.00	1.15	3.76	81.5	13.898	208-230/460	9;19;20
		3600	56HJ	00336ES3EJPR56J-S	503	P1B	43.00	1.15	3.76	81.5	14.409	208-230/460	9;20



## JET PUMP THREE-PHASE (56C/56J FRAMES)

### ODP - Foot Mount

HP	KW	RPM	Frame Size	Catalog Number	List Price	Mult. Symbol	Approx. Shipping Weight (lbs)	Service Factor	FL Amps @ High	FL Eff. (%)	"C" Dimension (in)	Voltage (V)	Notes
0.33	0.25	3600	56C	.33360S3EJP56J-S	224	P1B	21.00	1.75	0.66	66.0	10.315	208-230/460	9
0.50	0.37	3600	56J	.50360S3EJP56J-S	236	P1B	21.00	1.60	0.95	68.0	10.827	208-230/460	9
		3600	56J	.50360S3HJP56J-S	236	P1B	21.00	1.60	0.76	68.0	10.827	575	9
0.75	0.55	3600	56J	.75360S3EJP56J-S	271	P1B	23.00	1.50	1.26	72.0	11.220	208-230/460	9
		3600	56J	.75360S3HJP56J-S	271	P1B	23.00	1.50	1.01	72.0	11.220	575	9
1	0.75	3600	56J	001360S3EJP56J-S	286	P1B	25.00	1.40	1.61	74.0	11.220	208-230/460	9
		3600	56J	001360S3HJP56J-S	286	P1B	25.00	1.40	1.29	74.0	11.220	575	9
1.5	1.1	3600	56J	001560S3EJP56J-S	296	P1B	28.00	1.30	2.16	77.0	11.614	208-230/460	9
		3600	56J	001560S3HJP56J-S	296	P1B	28.00	1.30	1.73	77.0	11.614	575	9
2	1.5	3600	56HJ	002360S3EJP56J-S	316	P1B	31.00	1.20	2.82	78.5	12.008	208-230/460	9
		3600	56HJ	002360S3HJP56J-S	316	P1B	31.00	1.20	2.26	78.5	12.008	575	9
3	2.2	3600	56HJ	003360S3EJP56J-S	339	P1B	35.00	1.15	3.89	81.5	12.795	208-230/460	9
		3600	56HJ	003360S3HJP56J-S	339	P1B	35.00	1.15	3.11	81.5	12.795	575	9

### ODP - Footless

HP	KW	RPM	Frame Size	Catalog Number	List Price	Mult. Symbol	Approx. Shipping Weight (lbs)	Service Factor	FL Amps @ High	FL Eff. (%)	"C" Dimension (in)	Voltage (V)	Notes
0.33	0.25	3600	56C	.33360S3EJPR56C-S	220	P1A	21.00	1.75	0.66	66.0	10.315	208-230/460	9;20
		3600	56J	.33360S3EJPR56J-S	229	P1B	21.00	1.75	0.66	66.0	10.815	208-230/460	9;20
0.50	0.37	3600	56C	.50360S3EJPR56C-S	224	P1A	21.00	1.60	0.95	68.0	10.315	208-230/460	9;20
		3600	56J	.50360S3EJPR56J-S	241	P1B	21.00	1.60	0.95	68.0	10.827	208-230/460	9;20
0.75	0.55	3600	56C	.75360S3EJPR56C-S	257	P1A	23.00	1.50	1.26	72.0	10.709	208-230/460	9;20
		3600	56C	.75360S3HJPR56C-S	257	P1A	23.00	1.50	1.01	72.0	10.709	575	9;20
		3600	56J	.75360S3EJPR56J-S	278	P1B	23.00	1.50	1.26	72.0	11.220	208-230/460	9;20
1	0.75	3600	56C	001360S3EJPR56C-S	274	P1A	24.00	1.40	1.61	74.0	10.709	208-230/460	9;20
		3600	56J	001360S3EJPR56J-S	287	P1B	25.00	1.40	1.61	74.0	11.220	208-230/460	9;20
1.5	1.1	3600	56C	001560S3EJPR56C-S	290	P1A	27.00	1.30	2.16	77.0	11.102	208-230/460	9;20
		3600	56C	001560S3HJPR56C-S	290	P1A	27.00	1.30	1.73	77.0	11.102	575	9;20
		3600	56J	001560S3EJPR56J-S	305	P1B	28.00	1.30	2.16	77.0	11.614	208-230/460	9;20
2	1.5	3600	56HC	002360S3EJPR56C-S	311	P1A	32.00	1.20	2.82	78.5	11.890	208-230/460	9;20
		3600	56HC	002360S3HJPR56C-S	311	P1A	32.00	1.20	2.26	78.5	11.890	575	9;20
		3600	56HJ	002360S3EJPR56J-S	321	P1B	31.00	1.20	2.82	78.5	12.008	208-230/460	9;20
3	2.2	3600	56HC	003360S3EJPR56C-S	332	P1A	35.00	1.15	3.89	81.5	12.283	208-230/460	9;20
		3600	56HJ	003360S3EJPR56J-S	350	P1B	35.00	1.15	3.89	81.5	12.795	208-230/460	9;20

Please refer to back cover for description of "NOTES"

For detailed specifications, data sheets, drawings and performance curves visit <http://catalog.wegelectric.com>

Data subject to change without notice.



CLOSE-COUPLED PUMP THREE PHASE

JM - TEFC

HP	KW	RPM	Frame Size	Catalog Number	List Price	Mult. Symbol	Approx. Shipping Weight (lbs)	Service Factor	FL Amps @ High	FL Eff. (%)	"C" Dimension (in)	Voltage (V)	Notes
1	0.75	1800	143/5JM	00118EP3E143JM-S	497	P1S	37.00	1.15	1.56	82.5	15.709	208-230/460	9;30
		1800	143/5JM	00118EP3H143JM-S	497	P1S	37.00	1.15	1.25	82.5	15.709	575	9;30
		1800	143/5JM	00118ET3E143JM-S	613	P1S	43.00	1.15	1.47	85.5	15.709	208-230/460	9
		1800	143/5JM	00118ET3H143JM-S	613	P1S	43.00	1.15	1.17	85.5	15.709	575	9
		1200	143/5JM	00112ET3E145JM-S	700	P1S	43.00	1.15	1.58	82.5	15.709	208-230/460	9
1.5	1.1	3600	143/5JM	00156EP3E143JM-S	527	P1S	36.00	1.15	1.90	82.5	15.709	208-230/460	9;30
		3600	143/5JM	00156ET3E143JM-S	710	P1S	39.00	1.15	1.87	84.0	15.709	208-230/460	9
		1800	143/5JM	00158EP3E145JM-S	509	P1S	43.00	1.15	2.16	84.0	15.709	208-230/460	9;30
		1800	143/5JM	00158EP3H145JM-S	509	P1S	43.00	1.15	1.73	84.0	15.709	575	9;30
		1800	143/5JM	00158ET3E145JM-S	643	P1S	43.00	1.15	2.02	86.5	15.709	208-230/460	9
		1800	143/5JM	00158ET3H145JM-S	643	P1S	43.00	1.15	1.62	86.5	15.709	575	9
		1200	182/4JM	00152ET3E182JM-S	909	P1S	73.00	1.15	2.22	87.5	17.835	208-230/460	9
2	1.5	3600	143/5JM	00236EP3E145JM-S	583	P1S	41.00	1.15	2.55	84.0	15.709	208-230/460	9;30
		3600	143/5JM	00236EP3H145JM-S	583	P1S	41.00	1.15	2.04	84.0	15.709	575	9;30
		3600	143/5JM	00236ET3E145JM-S	683	P1S	45.00	1.15	2.47	85.5	16.102	208-230/460	9
		1800	143/5JM	00218EP3E145JM-S	560	P1S	47.00	1.15	2.95	84.0	16.496	208-230/460	9;30
		1800	143/5JM	00218EP3H145JM-S	560	P1S	47.00	1.15	2.36	84.0	16.496	575	9;30
		1800	143/5JM	00218ET3E145JM-S	707	P1S	47.00	1.15	2.72	86.5	16.102	208-230/460	9
		1800	143/5JM	00218ET3H145JM-S	707	P1S	47.00	1.15	2.18	86.5	16.102	575	9
		1200	182/4JM	00212ET3E184JM-S	1,021	P1S	83.00	1.15	3.00	88.5	18.622	208-230/460	9
3	2.2	3600	143/5JM	00336EP3E145JM-S	647	P1S	50.00	1.15	3.55	85.5	16.496	208-230/460	9;30
		3600	143/5JM	00336EP3H145JM-S	647	P1S	50.00	1.15	2.84	85.5	16.496	575	9;30
		3600	182/4JM	00336EP3E182JM-S	744	P1S	67.00	1.15	3.80	85.5	17.835	208-230/460	9;30
		3600	182/4JM	00336ET3E182JM-S	918	P1S	71.00	1.15	3.67	86.5	17.835	208-230/460	9
		3600	182/4JM	00336ET3H182JM-S	918	P1S	71.00	1.15	2.94	86.5	17.835	575	9
		1800	182/4JM	00318EP3E182JM-S	886	P1S	71.00	1.15	4.05	87.5	17.835	208-230/460	9;30
		1800	182/4JM	00318EP3H182JM-S	886	P1S	71.00	1.15	3.24	87.5	17.835	575	9;30
		1800	182/4JM	00318ET3E182JM-S	1,022	P1S	87.00	1.15	3.81	89.5	19.390	208-230/460	9
		1800	182/4JM	00318ET3H182JM-S	1,022	P1S	87.00	1.15	3.05	89.5	14.860	575	9
		1200	213/5JM	00312ET3E213JM-S	1,423	P1S	142.00	1.15	4.17	89.5	20.433	208-230/460	9
5	3.7	3600	182/4JM	00536EP3E184JM-S	922	P1S	76.00	1.15	5.96	87.5	18.228	208-230/460	9;30
		3600	182/4JM	00536EP3H184JM-S	922	P1S	76.00	1.15	4.77	87.5	18.228	575	9;30
		3600	182/4JM	00536ET3E184JM-S	1,075	P1S	86.00	1.15	5.90	88.5	19.390	208-230/460	9
		3600	182/4JM	00536ET3H184JM-S	1,075	P1S	86.00	1.15	4.72	88.5	19.390	575	9
		1800	182/4JM	00518EP3E184JM-S	993	P1S	84.00	1.15	6.55	87.5	19.390	208-230/460	9;30
		1800	182/4JM	00518EP3H184JM-S	993	P1S	84.00	1.15	5.24	87.5	19.390	575	9;30
		1800	182/4JM	00518EP3P184JM-S	993	P1S	84.00	1.15	15.1	87.5	19.390	200	9;30
		1800	182/4JM	00518ET3E184JM-S	1,141	P1S	79.00	1.15	6.49	89.5	19.390	208-230/460	9
		1800	182/4JM	00518ET3H184JM-S	1,141	P1S	79.00	1.15	5.19	89.5	19.390	575	9
		1200	213/5JM	00512ET3E215JM-S	1,769	P1S	156.00	1.15	6.74	89.5	21.220	208-230/460	9

continued on next page

Please refer to back cover for description of "NOTES"

For detailed specifications, data sheets, drawings and performance curves visit <http://catalog.wegelectric.com>

Data subject to change without notice.



## CLOSE-COUPLED PUMP THREE PHASE

### JM - TEFC - continued

HP	KW	RPM	Frame Size	Catalog Number	List Price	Mult. Symbol	Approx. Shipping Weight (lbs)	Service Factor	FL Amps @ High	FL Eff. (%)	"C" Dimension (in)	Voltage (V)	Notes
7.5	5.5	3600	182/4JM	00736EP3E184JM-S	1,125	P1S	84.00	1.15	8.67	88.5	18.622	208-230/460	9;30
		3600	182/4JM	00736EP3H184JM-S	1,125	P1S	84.00	1.15	6.94	88.5	18.622	575	9;30
		3600	213/5JM	00736EP3E213JM-S	1,277	P1S	129.00	1.15	8.76	88.5	20.433	208-230/460	9;30
		3600	213/5JM	00736EP3H213JM-S	1,277	P1S	129.00	1.15	7.01	88.5	20.433	575	9;30
		3600	213/5JM	00736ET3E213JM-S	1,419	P1S	144.00	1.15	8.67	89.5	21.220	208-230/460	9
		1800	213/5JM	00718EP3E213JM-S	1,256	P1S	134.00	1.15	9.07	89.5	20.433	208-230/460	9;30
		1800	213/5JM	00718EP3H213JM-S	1,256	P1S	134.00	1.15	7.26	89.5	20.433	575	9;30
		1800	213/5JM	00718ET3E213JM-S	1,519	P1S	131.00	1.15	9.07	91.7	20.039	208-230/460	9
		1200	254/6JM	00712ET3E254JM-S	2,455	P1S	248.00	1.15	9.98	91.0	24.055	208-230/460	9
10	7.5	3600	213/5JM	01036EP3E215JM-S	1,581	P1S	144.00	1.15	11.8	89.5	21.220	208-230/460	9;30
		3600	213/5JM	01036EP3H215JM-S	1,581	P1S	144.00	1.15	9.50	89.5	21.220	575	9;30
		3600	213/5JM	01036ET3E215JM-S	1,769	P1S	173.00	1.15	11.5	90.2	22.795	208-230/460	9
		3600	213/5JM	01036ET3H215JM-S	1,769	P1S	173.00	1.15	9.20	90.2	22.795	575	9
		1800	213/5JM	01018EP3E215JM-S	1,502	P1S	152.00	1.15	12.1	89.5	21.614	208-230/460	9;30
		1800	213/5JM	01018ET3E215JM-S	1,792	P1S	142.00	1.15	12.2	91.7	20.433	208-230/460	9
		1200	254/6JM	01012ET3E256JM-S	2,979	P1S	277.00	1.15	13.8	91.0	24.843	208-230/460	9
15	11	3600	213/5JM	01536EP3E215JM-S	1,803	P1S	159.00	1.15	17.2	90.2	22.795	208-230/460	9;30
		3600	213/5JM	01536EP3H215JM-S	1,803	P1S	159.00	1.15	13.8	90.2	22.795	575	9;30
		3600	213/5JM	01536ET3E215JM-S	2,058	P1S	181.00	1.15	17.1	91.0	22.795	208-230/460	9
		3600	213/5JM	01536ET3H215JM-S	2,058	P1S	181.00	1.15	13.7	91.0	22.795	575	9
		3600	254/6JM	01536EP3E254JM-S	2,029	P1S	200.00	1.15	18.0	90.2	24.055	208-230/460	9;30
		3600	254/6JM	01536EP3H254JM-S	2,029	P1S	200.00	1.15	14.4	90.2	24.055	575	9;30
		3600	254/6JM	01536ET3E254JM-S	2,214	P1S	220.00	1.15	17.4	91.0	24.055	208-230/460	9
		3600	254/6JM	01536ET3H254JM-S	2,214	P1S	220.00	1.15	14.0	91.0	24.055	575	9
		1800	254/6JM	01518EP3E254JM-S	2,256	P1S	214.00	1.15	18.7	91.0	24.055	208-230/460	9;30
		1800	254/6JM	01518EP3H254JM-S	2,256	P1S	214.00	1.15	15.0	91.0	24.055	575	9;30
		1800	254/6JM	01518ET3E254JM-S	2,609	P1S	242.00	1.15	18.2	92.4	24.055	208-230/460	9
		1800	254/6JM	01518ET3H254JM-S	2,609	P1S	242.00	1.15	14.6	92.4	24.055	575	9
20	15	3600	254/6JM	02036EP3E256JM-S	2,568	P1S	238.00	1.15	23.5	90.2	24.055	208-230/460	9;30
		3600	254/6JM	02036EP3H256JM-S	2,568	P1S	238.00	1.15	18.8	90.2	24.055	575	9;30
		3600	254/6JM	02036ET3E256JM-S	2,965	P1S	256.00	1.15	22.7	91.0	24.842	208-230/460	9
		1800	254/6JM	02018EP3E256JM-S	2,490	P1S	242.00	1.15	24.9	91.0	24.055	208-230/460	9;30
		1800	254/6JM	02018ET3E256JM-S	2,857	P1S	271.00	1.15	24.5	92.4	24.843	208-230/460	9
		1800	254/6JM	02018ET3H256JM-S	2,857	P1S	271.00	1.15	19.6	92.4	24.843	575	9
25	18.5	3600	254/6JM	02536EP3E256JM-S	2,803	P1S	266.00	1.15	28.7	91.0	24.843	208-230/460	9;30

Please refer to back cover for description of "NOTES"

For detailed specifications, data sheets, drawings and performance curves visit <http://catalog.wegelectric.com>

Data subject to change without notice.



CLOSE-COUPLED PUMP THREE PHASE

JP - TEFC

HP	KW	RPM	Frame Size	Catalog Number	List Price	Mult. Symbol	Approx. Shipping Weight (lbs)	Service Factor	FL Amps @ High	FL Eff. (%)	"C" Dimension (in)	Voltage (V)	Notes
1	0.75	1800	143/5JP	<b>00118EP3E143JP-S</b>	508	P1S	37.00	1.15	1.56	82.5	18.78	208-230/460	9;30
		1800	143/5JP	<b>00118ET3E143JP-S</b>	624	P1S	43.00	1.15	1.47	85.5	18.78	208-230/460	9
		1200	143/5JP	<b>00112ET3E145JP-S</b>	714	P1S	43.00	1.15	1.58	82.5	18.78	208-230/460	9
1.5	1.1	3600	143/5JP	<b>00156EP3E143JP-S</b>	537	P1S	36.00	1.15	1.90	82.5	18.78	208-230/460	9;30
		3600	143/5JP	<b>00156ET3E143JP-S</b>	649	P1S	39.00	1.15	1.87	84.0	18.78	208-230/460	9
		1800	143/5JP	<b>00158EP3E145JP-S</b>	519	P1S	43.00	1.15	2.16	84.0	18.78	208-230/460	9;30
		1800	143/5JP	<b>00158ET3E145JP-S</b>	653	P1S	43.00	1.15	2.02	86.5	18.78	208-230/460	9
		1200	182/4JP	<b>00152ET3E182JP-S</b>	924	P1S	73.00	1.15	2.22	87.5	20.906	208-230/460	9
2	1.5	3600	143/5JP	<b>00236EP3E145JP-S</b>	594	P1S	41.00	1.15	2.55	84.0	18.78	208-230/460	9;30
		3600	143/5JP	<b>00236ET3E145JP-S</b>	694	P1S	45.00	1.15	2.47	85.5	19.173	208-230/460	9
		1800	143/5JP	<b>00218EP3E145JP-S</b>	571	P1S	47.00	1.15	2.95	84.0	19.567	208-230/460	9;30
		1800	143/5JP	<b>00218ET3E145JP-S</b>	718	P1S	47.00	1.15	2.72	86.5	19.173	208-230/460	9
		1200	182/4JP	<b>00212ET3E184JP-S</b>	1,040	P1S	83.00	1.15	3.00	88.5	21.693	208-230/460	9
3	2.2	3600	143/5JP	<b>00336EP3E145JP-S</b>	632	P1S	50.00	1.15	3.55	85.5	19.567	208-230/460	9;30
		3600	182/4JP	<b>00336EP3E182JP-S</b>	759	P1S	67.00	1.15	3.80	85.5	20.906	208-230/460	9;30
		3600	182/4JP	<b>00336ET3E182JP-S</b>	933	P1S	71.00	1.15	3.67	86.5	20.906	208-230/460	9
		1800	182/4JP	<b>00318EP3E182JP-S</b>	905	P1S	71.00	1.15	4.05	87.5	20.906	208-230/460	9;30
		1800	182/4JP	<b>00318ET3E182JP-S</b>	1,041	P1S	87.00	1.15	3.81	89.5	22.461	208-230/460	9
		1200	213/5JP	<b>00312ET3E213JP-S</b>	1,449	P1S	142.00	1.15	4.17	89.5	24.291	208-230/460	9
5	3.7	3600	182/4JP	<b>00536EP3E184JP-S</b>	941	P1S	76.00	1.15	5.96	87.5	21.299	208-230/460	9;30
		3600	182/4JP	<b>00536ET3E184JP-S</b>	1,094	P1S	86.00	1.15	5.90	88.5	22.461	208-230/460	9
		1800	182/4JP	<b>00518EP3E184JP-S</b>	1,013	P1S	84.00	1.15	6.55	87.5	22.461	208-230/460	9;30
		1800	182/4JP	<b>00518EP3H184JP-S</b>	1,013	P1S	84.00	1.15	5.24	87.5	22.461	575	9;30
		1800	182/4JP	<b>00518ET3E184JP-S</b>	1,161	P1S	79.00	1.15	6.49	89.5	22.461	208-230/460	9
		1200	213/5JP	<b>00512ET3E215JP-S</b>	1,801	P1S	156.00	1.15	6.74	89.5	25.079	208-230/460	9
7.5	5.5	3600	182/4JP	<b>00736EP3E184JP-S</b>	1,146	P1S	84.00	1.15	8.67	88.5	21.693	208-230/460	9;30
		3600	213/5JP	<b>00736EP3E213JP-S</b>	1,303	P1S	129.00	1.15	8.76	88.5	24.291	208-230/460	9;30
		3600	213/5JP	<b>00736ET3E213JP-S</b>	1,445	P1S	144.00	1.15	8.67	89.5	25.079	208-230/460	9
		1800	213/5JP	<b>00718EP3E213JP-S</b>	1,280	P1S	134.00	1.15	9.07	89.5	24.291	208-230/460	9;30
		1800	213/5JP	<b>00718EP3H213JP-S</b>	1,280	P1S	134.00	1.15	7.26	89.5	24.291	575	9;30
		1800	213/5JP	<b>00718ET3E213JP-S</b>	1,543	P1S	131.00	1.15	9.07	91.7	23.898	208-230/460	9
		1800	213/5JP	<b>00718ET3H213JP-S</b>	1,543	P1S	131.00	1.15	7.26	91.7	23.898	575	9
		1200	254/6JP	<b>00712ET3E254JP-S</b>	2,495	P1S	248.00	1.15	9.98	91.0	26.929	208-230/460	9
10	7.5	3600	213/5JP	<b>01036EP3E215JP-S</b>	1,613	P1S	144.00	1.15	11.8	89.5	25.079	208-230/460	9;30
		3600	213/5JP	<b>01036ET3E215JP-S</b>	1,801	P1S	173.00	1.15	11.5	90.2	26.654	208-230/460	9
		1800	213/5JP	<b>01018EP3E215JP-S</b>	1,533	P1S	152.00	1.15	12.1	89.5	25.472	208-230/460	9;30
		1800	213/5JP	<b>01018EP3H215JP-S</b>	1,533	P1S	152.00	1.15	9.70	89.5	25.472	575	9;30
		1800	213/5JP	<b>01018ET3E215JP-S</b>	1,823	P1S	142.00	1.15	12.2	91.7	24.291	208-230/460	9
		1800	213/5JP	<b>01018ET3H215JP-S</b>	1,823	P1S	142.00	1.15	9.80	91.7	24.291	575	9
		1200	254/6JP	<b>01012ET3E256JP-S</b>	3,103	P1S	277.00	1.15	13.8	91.0	27.717	208-230/460	9

continued on next page

Please refer to back cover for description of "NOTES"

For detailed specifications, data sheets, drawings and performance curves visit <http://catalog.wegelectric.com>

Data subject to change without notice.



## CLOSE-COUPLED PUMP THREE PHASE

### JP - TEFC - continued

HP	KW	RPM	Frame Size	Catalog Number	List Price	Mult. Symbol	Approx. Shipping Weight (lbs)	Service Factor	FL Amps @ High	FL Eff. (%)	"C" Dimension (in)	Voltage (V)	Notes
15	11	3600	213/5JP	<b>01536EP3E215JP-S</b>	<b>1,791</b>	P1S	159.00	1.15	17.2	90.2	26.654	208-230/460	9;30
		3600	254/6JP	<b>01536EP3E254JP-S</b>	<b>2,069</b>	P1S	200.00	1.15	18.0	90.2	26.929	208-230/460	9;30
		3600	254/6JP	<b>01536EP3V254JP-S</b>	<b>2,069</b>	P1S	200.00	1.15	20.7	90.2	26.929	200/400	9;30
		3600	254/6JP	<b>01536ET3E254JP-S</b>	<b>2,629</b>	P1S	220.00	1.15	17.4	91.0	26.929	208-230/460	9
		1800	254/6JP	<b>01518EP3E254JP-S</b>	<b>2,300</b>	P1S	214.00	1.15	18.7	91.0	26.929	208-230/460	9;30
		1800	254/6JP	<b>01518EP3H254JP-S</b>	<b>2,300</b>	P1S	214.00	1.15	15.0	91.0	26.929	575	9;30
		1800	254/6JP	<b>01518ET3E254JP-S</b>	<b>2,653</b>	P1S	242.00	1.15	18.2	92.4	26.929	208-230/460	9
20	15	3600	254/6JP	<b>02036EP3E256JP-S</b>	<b>2,621</b>	P1S	238.00	1.15	23.5	90.2	26.929	208-230/460	9;30
		3600	254/6JP	<b>02036EP3H256JP-S</b>	<b>2,451</b>	P1S	238.00	1.15	18.8	90.2	26.929	575	9;30
		3600	254/6JP	<b>02036ET3E256JP-S</b>	<b>3,018</b>	P1S	256.00	1.15	22.7	91.0	27.716	208-230/460	9
		1800	254/6JP	<b>02018EP3E256JP-S</b>	<b>2,541</b>	P1S	242.00	1.15	24.9	91.0	26.929	208-230/460	9;30
		1800	254/6JP	<b>02018ET3E256JP-S</b>	<b>2,908</b>	P1S	271.00	1.15	24.5	92.4	27.717	208-230/460	9
		3600	254/6JP	<b>02536EP3E256JP-S</b>	<b>2,790</b>	P1S	266.00	1.15	28.7	91.0	27.717	208-230/460	9;30
		3600	254/6JP	<b>02536EP3H256JP-S</b>	<b>2,790</b>	P1S	266.00	1.15	23.0	91.0	27.717	575	9;30

Please refer to back cover for description of "NOTES"

For detailed specifications, data sheets, drawings and performance curves visit <http://catalog.wegelectric.com>

Data subject to change without notice.



CLOSE-COUPLED PUMP THREE PHASE

JM - ODP

HP	KW	RPM	Frame Size	Catalog Number	List Price	Mult. Symbol	Approx. Shipping Weight (lbs)	Service Factor	FL Amps @ High	FL Eff. (%)	"C" Dimension (in)	Voltage (V)	Notes
1	0.75	1800	143/5JM	001180P3E143JM-S	437	P1S	35	1.15	1.63	82.5	13.701	208-230/460	9;30
		1800	143/5JM	001180P3H143JM-S	437	P1S	35	1.15	1.30	82.5	13.701	575	9;30
		1800	143/5JM	001180T3E143JM-S	486	P1S	39	1.15	1.51	85.5	13.701	208-230/460	9
		1800	143/5JM	001180T3H143JM-S	486	P1S	39	1.15	1.21	85.5	13.701	575	9
		1800	143/5JM	001180T3V143JM-S	486	P1S	39	1.15	1.74	85.5	13.701	208-230/460	9
		1200	143/5JM	001120T3E145JM-S	550	P1S	40	1.15	1.65	82.5	13.307	208-230/460	9
1.5	1.1	3600	143/5JM	001560P3E143JM-S	453	P1S	34	1.15	1.88	82.5	13.701	208-230/460	9;30
		3600	143/5JM	001560T3E143JM-S	534	P1S	34	1.15	1.85	84.0	13.701	208-230/460	9
		3600	143/5JM	001560T3V143JM-S	534	P1S	34	1.15	2.13	84.0	13.701	200/400	9
		1800	143/5JM	001580P3E145JM-S	478	P1S	41	1.15	2.19	84.0	13.701	208-230/460	9;30
		1800	143/5JM	001580P3H145JM-S	478	P1S	41	1.15	1.75	84.0	13.701	575	9;30
		1800	143/5JM	001580T3E145JM-S	553	P1S	47	1.15	2.07	86.5	14.488	208-230/460	9
		1800	143/5JM	001580T3H145JM-S	553	P1S	47	1.15	1.66	86.5	14.488	575	9
		1200	182/4JM	001520T3E182JM-S	769	P1S	63	1.15	2.25	86.5	15.453	208-230/460	9
2	1.5	3600	143/5JM	002360P3E145JM-S	498	P1S	39	1.15	2.52	84.0	13.701	208-230/460	9;30
		3600	143/5JM	002360P3H145JM-S	498	P1S	39	1.15	2.01	84.0	13.701	575	9;30
		3600	143/5JM	002360T3E145JM-S	580	P1S	42	1.15	2.42	85.5	14.094	208-230/460	9
		3600	143/5JM	002360T3H145JM-S	580	P1S	42	1.15	1.94	85.5	14.094	575	9
		3600	143/5JM	002360T3V145JM-S	580	P1S	42	1.15	2.78	85.5	14.094	200/400	9
		1800	143/5JM	002180P3E145JM-S	524	P1S	44	1.15	2.91	84.0	14.094	208-230/460	9;30
		1800	143/5JM	002180P3H145JM-S	524	P1S	44	1.15	2.33	84.0	14.094	575	9;30
		1800	143/5JM	002180T3E145JM-S	607	P1S	44	1.15	2.69	86.5	14.488	208-230/460	9
		1800	143/5JM	002180T3H145JM-S	607	P1S	44	1.15	2.15	86.5	14.488	575	9
		1200	182/4JM	002120T3E184JM-S	816	P1S	73	1.15	2.95	87.5	16.24	208-230/460	9
3	2.2	3600	143/5JM	003360P3E145JM-S	565	P1S	42	1.15	3.69	84.0	14.094	208-230/460	9;30
		3600	143/5JM	003360P3H145JM-S	565	P1S	42	1.15	2.95	84.0	14.094	575	9;30
		3600	143/5JM	003360T3E145JM-S	660	P1S	45	1.15	3.59	85.5	14.488	208-230/460	9
		3600	143/5JM	003360T3H145JM-S	660	P1S	45	1.15	2.87	85.5	14.488	575	9
		3600	143/5JM	003360T3V145JM-S	660	P1S	45	1.15	4.13	85.5	14.488	200/400	9
		1800	182/4JM	003180P3E182JM-S	557	P1S	61	1.15	4.04	86.5	15.453	208-230/460	9;30
		1800	182/4JM	003180P3H182JM-S	557	P1S	61	1.15	3.23	86.5	15.453	575	9;30
		1800	182/4JM	003180T3E182JM-S	665	P1S	73	1.15	3.86	89.5	16.634	208-230/460	9
		1800	182/4JM	003180T3H182JM-S	665	P1S	73	1.15	3.09	89.5	16.634	575	9
		1800	182/4JM	003180T3V182JM-S	665	P1S	73	1.15	4.43	89.5	16.634	200/400	9
		1200	213/5JM	003120T3E213JM-S	1,105	P1S	110	1.15	4.16	88.5	17.717	208-230/460	9
5	3.7	3600	182/4JM	005360P3E182JM-S	669	P1S	60	1.15	6.24	85.5	15.453	208-230/460	9;30
		3600	182/4JM	005360P3H182JM-S	669	P1S	60	1.15	4.99	85.5	15.453	575	9;30
		3600	182/4JM	005360T3E182JM-S	780	P1S	66	1.15	6.10	86.5	16.260	208-230/460	9
		3600	182/4JM	005360T3H182JM-S	780	P1S	66	1.15	4.88	86.5	16.260	575	9
		3600	182/4JM	005360T3V182JM-S	780	P1S	66	1.15	7.02	86.5	16.260	200/400	9
		1800	182/4JM	005180P3E184JM-S	740	P1S	73	1.15	6.47	87.5	16.634	208-230/460	9;30
		1800	182/4JM	005180P3H184JM-S	740	P1S	73	1.15	5.18	87.5	16.634	575	9;30
		1800	182/4JM	005180T3E184JM-S	849	P1S	87	1.15	6.33	89.5	17.815	208-230/460	9
		1800	182/4JM	005180T3H184JM-S	849	P1S	87	1.15	5.06	89.5	17.815	575	9
		1200	213/5JM	005120T3E215JM-S	1,319	P1S	129	1.15	6.74	89.5	18.110	208-230/460	9

Please refer to back cover for description of "NOTES"

For detailed specifications, data sheets, drawings and performance curves visit <http://catalog.wegelectric.com>

Data subject to change without notice.

continued on next page



# CLOSE-COUPLED PUMP THREE PHASE

## JM - ODP - continued

HP	KW	RPM	Frame Size	Catalog Number	List Price	Mult. Symbol	Approx. Shipping Weight (lbs)	Service Factor	FL Amps @ High	FL Eff. (%)	"C" Dimension (in)	Voltage (V)	Notes
7.5	5.5	3600	182/4JM	007360P3E184JM-S	862	P1S	70	1.15	8.86	87.5	16.260	208-230/460	9;30
		3600	182/4JM	007360P3H184JM-S	862	P1S	70	1.15	7.09	87.5	16.260	575	9;30
		3600	182/4JM	007360T3E184JM-S	1,086	P1S	77	1.15	8.67	88.5	16.634	208-230/460	9
		3600	182/4JM	007360T3H184JM-S	1,086	P1S	77	1.15	6.93	88.5	16.634	575	9
		3600	182/4JM	007360T3V184JM-S	1,086	P1S	77	1.15	9.97	88.5	16.634	208-230/460	9
		1800	213/5JM	007180P3E213JM-S	945	P1S	112	1.15	9.29	88.5	17.717	208-230/460	9;30
		1800	213/5JM	007180P3H213JM-S	945	P1S	112	1.15	7.43	88.5	17.717	575	9;30
		1800	213/5JM	007180T3E213JM-S	1,119	P1S	128	1.15	9.14	91.0	17.717	208-230/460	9
		1800	213/5JM	007180T3H213JM-S	1,120	P1S	128	1.15	7.31	91.0	17.717	575	9
		1200	254/6JM	007120T3E254JM-S	1,985	P1S	231	1.15	10.2	90.2	21.969	208-230/460	9
10	7.5	3600	213/5JM	010360P3E213JM-S	1,109	P1S	115	1.15	12.2	88.5	17.717	208-230/460	9;30
		3600	213/5JM	010360P3H213JM-S	1,109	P1S	115	1.15	9.80	88.5	17.717	575	9;30
		3600	213/5JM	010360T3E213JM-S	1,289	P1S	128	1.15	12.0	89.5	18.110	208-230/460	9
		3600	213/5JM	010360T3H213JM-S	1,289	P1S	128	1.15	9.60	89.5	18.110	575	9
		3600	213/5JM	010360T3V213JM-S	1,289	P1S	128	1.15	13.8	89.5	18.110	200/400	9
		1800	213/5JM	010180P3E215JM-S	1,161	P1S	128	1.15	12.4	89.5	17.717	208-230/460	9;30
		1800	213/5JM	010180P3H215JM-S	1,161	P1S	128	1.15	9.90	89.5	17.717	575	9;30
		1800	213/5JM	010180T3E215JM-S	1,364	P1S	149	1.15	12.4	91.7	18.898	208-230/460	9
		1800	213/5JM	010180T3H215JM-S	1,366	P1S	149	1.15	9.90	91.7	18.898	575	9
		1200	254/6JM	010120T3E256JM-S	2,298	P1S	254	1.15	13.9	91.7	21.969	208-230/460	9
15	11	3600	213/5JM	015360P3E215JM-S	1,447	P1S	128	1.15	17.5	89.5	18.110	208-230/460	9;30
		3600	213/5JM	015360P3H215JM-S	1,447	P1S	128	1.15	14.0	89.5	18.110	575	9;30
		3600	213/5JM	015360P3V215JM-S	1,447	P1S	128	1.15	20.1	89.5	18.110	200/400	9;30
		3600	213/5JM	015360T3E215JM-S	1,707	P1S	143	1.15	17.2	90.2	18.898	208-230/460	9
		3600	213/5JM	015360T3H215JM-S	1,707	P1S	143	1.15	13.8	90.2	18.898	575	9
		3600	213/5JM	015360T3V215JM-S	1,707	P1S	143	1.15	19.8	90.2	18.898	200/400	9
		1800	254/6JM	015180P3E254JM-S	1,749	P1S	197	1.15	18.5	91.0	21.969	208-230/460	9;30
		1800	254/6JM	015180P3H254JM-S	1,749	P1S	197	1.15	14.8	91.0	21.969	575	9;30
		1800	254/6JM	015180T3E254JM-S	1,995	P1S	220	1.15	18.3	93.0	21.969	208-230/460	9
		1800	254/6JM	015180T3H254JM-S	1,995	P1S	220	1.15	14.7	93.0	21.969	575	9
1800	254/6JM	015180T3V254JM-S	1,995	P1S	220	1.15	21.1	93.0	21.969	200/400	9		
20	15	3600	254/6JM	020360P3E254JM-S	1,816	P1S	196	1.15	23.7	90.2	21.969	208-230/460	9;30
		3600	254/6JM	020360P3H254JM-S	1,816	P1S	196	1.15	19.0	90.2	21.969	575	9;30
		3600	254/6JM	020360T3E254JM-S	2,107	P1S	196	1.15	23.8	91.0	21.969	208-230/460	9
		3600	254/6JM	020360T3H254JM-S	2,107	P1S	196	1.15	19.0	91.0	21.969	575	9
		1800	254/6JM	020180P3E256JM-S	2,107	P1S	211	1.15	24.9	91.0	21.969	208-230/460	9;30
		1800	254/6JM	020180P3H256JM-S	2,013	P1S	211	1.15	19.9	91.0	21.969	575	9;30
		1800	254/6JM	020180T3E256JM-S	2,413	P1S	243	1.15	24.7	93.0	21.969	208-230/460	9
		1800	254/6JM	020180T3H256JM-S	2,413	P1S	243	1.15	19.7	93.0	21.969	575	9
25	18.5	3600	254/6JM	025360P3E256JM-S	2,242	P1S	219	1.15	29.0	91.0	21.969	208-230/460	9;30
		3600	254/6JM	025360P3H256JM-S	2,242	P1S	219	1.15	23.2	91.0	21.969	575	9;30
		3600	254/6JM	025360T3E256JM-S	2,598	P1S	219	1.15	29.1	91.7	21.969	208-230/460	9
		3600	254/6JM	025360T3H256JM-S	2,598	P1S	219	1.15	23.3	91.7	21.969	575	9

Please refer to back cover for description of "NOTES"

For detailed specifications, data sheets, drawings and performance curves visit <http://catalog.wegelectric.com>

Data subject to change without notice.



CLOSE-COUPLED PUMP THREE PHASE

JP - ODP

HP	KW	RPM	Frame Size	Catalog Number	List Price	Mult. Symbol	Approx. Shipping Weight (lbs)	Service Factor	FL Amps @ High	FL Eff. (%)	"C" Dimension (in)	Voltage (V)	Notes
1	0.75	1800	143/5JP	001180P3E143JP-S	437	P1S	35.00	1.15	1.63	82.5	16.772	208-230/460	9;30
		1800	143/5JP	001180T3E143JP-S	486	P1S	39.00	1.15	1.51	85.5	16.772	208-230/460	9
		1200	143/5JP	001120T3E145JP-S	550	P1S	40.00	1.15	1.65	82.5	16.378	208-230/460	9
1.5	1.1	3600	143/5JP	001560P3E143JP-S	453	P1S	34.00	1.15	1.88	82.5	16.772	208-230/460	9;30
		3600	143/5JP	001560P3V143JP-S	453	P1S	34.00	1.15	2.16	82.5	16.772	200/400	9;30
		3600	143/5JP	001560T3E143JP-S	534	P1S	34.00	1.15	1.85	84.0	16.772	208-230/460	9
		1800	143/5JP	001580P3E145JP-S	478	P1S	41.00	1.15	2.19	84.0	16.772	208-230/460	9;30
		1800	143/5JP	001580T3E145JP-S	553	P1S	47.00	1.15	2.07	86.5	17.559	208-230/460	9
		1200	182/4JP	001520T3E182JP-S	729	P1S	63.00	1.15	2.25	86.5	18.524	208-230/460	9
2	1.5	3600	143/5JP	002360P3E145JP-S	498	P1S	39.00	1.15	2.52	84.0	16.772	208-230/460	9;30
		3600	143/5JP	002360P3V145JP-S	498	P1S	39.00	1.15	2.90	84.0	16.772	200/400	9;30
		3600	143/5JP	002360T3E145JP-S	580	P1S	42.00	1.15	2.42	85.5	17.165	208-230/460	9
		1800	143/5JP	002180P3E145JP-S	524	P1S	44.00	1.15	2.91	84.0	17.165	208-230/460	9;30
		1800	143/5JP	002180T3E145JP-S	607	P1S	44.00	1.15	2.69	86.5	17.559	208-230/460	9
		1200	182/4JP	002120T3E184JP-S	863	P1S	73.00	1.15	2.95	87.5	19.311	208-230/460	9
3	2.2	3600	143/5JP	003360P3E145JP-S	565	P1S	42.00	1.15	3.69	84.0	17.165	208-230/460	9;30
		3600	143/5JP	003360P3V145JP-S	565	P1S	42.00	1.15	4.25	84.0	17.165	200/400	9;30
		3600	143/5JP	003360T3E145JP-S	660	P1S	45.00	1.15	3.59	85.5	17.559	208-230/460	9
		3600	143/5JP	003360T3H145JP-S	660	P1S	45.00	1.15	2.87	85.5	17.559	575	9
		1800	182/4JP	003180P3E182JP-S	557	P1S	61.00	1.15	4.04	86.5	18.524	208-230/460	9;30
		1800	182/4JP	003180T3E182JP-S	665	P1S	73.00	1.15	3.86	89.5	19.705	208-230/460	9
		1800	182/4JP	003180T3H182JP-S	665	P1S	73.00	1.15	3.09	89.5	19.705	575	9
		1200	213/5JP	003120T3E213JP-S	1,095	P1S	110.00	1.15	4.16	88.5	21.575	208-230/460	9
5	3.7	3600	182/4JP	005360P3E182JP-S	669	P1S	60.00	1.15	6.24	85.5	18.524	208-230/460	9;30
		3600	182/4JP	005360P3V182JP-S	669	P1S	60.00	1.15	7.18	85.5	18.524	200/400	9;30
		3600	182/4JP	005360T3E182JP-S	792	P1S	66.00	1.15	6.10	86.5	19.331	208-230/460	9
		3600	182/4JP	005360T3H182JP-S	792	P1S	66.00	1.15	4.88	86.5	19.331	575	9
		1800	182/4JP	005180P3E184JP-S	739	P1S	73.00	1.15	6.47	87.5	19.705	208-230/460	9;30
		1800	182/4JP	005180T3E184JP-S	848	P1S	87.00	1.15	6.33	89.5	20.886	208-230/460	9
		1800	182/4JP	005180T3H184JP-S	848	P1S	87.00	1.15	5.06	89.5	20.886	575	9
		1200	213/5JP	005120T3E215JP-S	1,321	P1S	129.00	1.15	6.74	89.5	21.969	208-230/460	9
7.5	5.5	3600	182/4JP	007360P3E184JP-S	862	P1S	70.00	1.15	8.86	87.5	19.331	208-230/460	9;30
		3600	182/4JP	007360P3V184JP-S	862	P1S	70.00	1.15	10.2	87.5	19.331	200/400	9;30
		3600	182/4JP	007360T3E184JP-S	1,086	P1S	77.00	1.15	8.67	88.5	19.705	208-230/460	9
		3600	182/4JP	007360T3H184JP-S	1,086	P1S	77.00	1.15	6.94	88.5	19.705	575	9
		1800	213/5JP	007180P3E213JP-S	946	P1S	112.00	1.15	9.29	88.5	21.575	208-230/460	9;30
		1800	213/5JP	007180P3H213JP-S	946	P1S	112.00	1.15	7.43	88.5	21.575	575	9;30
		1800	213/5JP	007180T3E213JP-S	1,120	P1S	128.00	1.15	9.14	91.0	21.575	208-230/460	9
		1800	213/5JP	007180T3H213JP-S	1,120	P1S	128.00	1.15	7.31	91.0	21.575	575	9
		1800	213/5JP	007180T3V213JP-S	1,120	P1S	128.00	1.15	10.5	91.0	21.575	200/400	9
		1200	254/6JP	007120T3E254JP-S	2,113	P1S	231.00	1.15	10.2	90.2	24.843	208-230/460	9

continued on next page

Please refer to back cover for description of "NOTES"

For detailed specifications, data sheets, drawings and performance curves visit <http://catalog.wegelectric.com>

Data subject to change without notice.



## CLOSE-COUPLED PUMP THREE PHASE

### JP - ODP - continued

HP	KW	RPM	Frame Size	Catalog Number	List Price	Mult. Symbol	Approx. Shipping Weight (lbs)	Service Factor	FL Amps @ High	FL Eff. (%)	"C" Dimension (in)	Voltage (V)	Notes
10	7.5	3600	213/5JP	010360P3E213JP-S	1,109	P1S	115.00	1.15	12.2	88.5	21.575	208-230/460	9;30
		3600	213/5JP	010360P3H213JP-S	1,109	P1S	115.00	1.15	9.80	88.5	21.575	575	9;30
		3600	213/5JP	010360P3V213JP-S	1,109	P1S	115.00	1.15	14.1	88.5	21.575	200/400	9;30
		3600	213/5JP	010360T3E213JP-S	1,289	P1S	128.00	1.15	12.0	89.5	21.969	208-230/460	9
		3600	213/5JP	010360T3H213JP-S	1,289	P1S	128.00	1.15	9.60	89.5	21.969	575	9
		1800	213/5JP	010180P3E215JP-S	1,163	P1S	128.00	1.15	12.4	89.5	21.575	208-230/460	9;30
		1800	213/5JP	010180P3H215JP-S	1,163	P1S	128.00	1.15	9.90	89.5	21.575	575	9;30
		1800	213/5JP	010180T3E215JP-S	1,366	P1S	149.00	1.15	12.4	91.7	22.756	208-230/460	9
		1800	213/5JP	010180T3H215JP-S	1,366	P1S	149.00	1.15	9.90	91.7	22.756	575	9
		1800	213/5JP	010180T3V215JP-S	1,366	P1S	149.00	1.15	14.2	91.7	22.756	200/400	9
		1200	254/6JP	010120T3E256JP-S	2,298	P1S	254.00	1.15	13.9	91.7	24.843	208-230/460	9
15	11	3600	213/5JP	015360P3E215JP-S	1,447	P1S	128.00	1.15	17.5	89.5	21.969	208-230/460	9;30
		3600	213/5JP	015360P3H215JP-S	1,447	P1S	128.00	1.15	14.0	89.5	21.969	575	9;30
		3600	213/5JP	015360P3V215JP-S	1,447	P1S	128.00	1.15	20.2	89.5	21.969	200/400	9;30
		3600	213/5JP	015360T3E215JP-S	1,707	P1S	143.00	1.15	17.2	90.2	22.756	208-230/460	9
		3600	213/5JP	015360T3H215JP-S	1,707	P1S	143.00	1.15	13.8	90.2	22.756	575	9
		1800	254/6JP	015180P3E254JP-S	1,749	P1S	197.00	1.15	18.5	91.0	24.843	208-230/460	9;30
		1800	254/6JP	015180P3H254JP-S	1,749	P1S	197.00	1.15	14.8	91.0	24.843	575	9;30
		1800	254/6JP	015180T3E254JP-S	1,995	P1S	220.00	1.15	18.3	93.0	24.843	208-230/460	9
		1800	254/6JP	015180T3H254JP-S	1,995	P1S	220.00	1.15	14.6	93.0	24.843	575	9
20	15	3600	254/6JP	020360P3E254JP-S	1,815	P1S	196.00	1.15	23.7	90.2	24.843	208-230/460	9;30
		3600	254/6JP	020360P3H254JP-S	1,815	P1S	196.00	1.15	19.0	90.2	24.843	575	9;30
		3600	254/6JP	020360P3V254JP-S	1,815	P1S	196.00	1.15	27.3	90.2	24.843	200/400	9;30
		3600	254/6JP	020360T3E254JP-S	2,106	P1S	196.00	1.15	23.8	91.0	24.843	208-230/460	9
		3600	254/6JP	020360T3H254JP-S	2,106	P1S	196.00	1.15	19.0	91.0	24.843	575	9
		1800	254/6JP	020180P3E256JP-S	2,107	P1S	211.00	1.15	24.9	91.0	24.843	208-230/460	9;30
		1800	254/6JP	020180P3H256JP-S	2,107	P1S	211.00	1.15	19.9	91.0	24.843	575	9;30
		1800	254/6JP	020180T3E256JP-S	2,413	P1S	243.00	1.15	24.7	93.0	24.843	208-230/460	9
		1800	254/6JP	020180T3H256JP-S	2,413	P1S	243.00	1.15	19.8	93.0	24.843	575	9
25	18.5	3600	254/6JP	025360P3E256JP-S	2,243	P1S	219.00	1.15	29.0	91.0	24.843	208-230/460	9;30
		3600	254/6JP	025360P3H256JP-S	2,243	P1S	219.00	1.15	23.2	91.0	24.843	575	9;30
		3600	254/6JP	025360P3V256JP-S	2,243	P1S	219.00	1.15	33.3	91.0	24.843	200/400	9;30
		3600	254/6JP	025360T3E256JP-S	2,599	P1S	219.00	1.15	29.1	91.7	24.843	208-230/460	9
		3600	254/6JP	025360T3H256JP-S	2,599	P1S	219.00	1.15	23.3	91.7	24.843	575	9

Please refer to back cover for description of "NOTES"

For detailed specifications, data sheets, drawings and performance curves visit <http://catalog.wegelectric.com>

Data subject to change without notice.



CLOSE-COUPLED PUMP THREE PHASE

JM - ODP - Footless Vertical

HP	KW	RPM	Frame Size	Catalog Number	List Price	Mult. Symbol	Approx. Shipping Weight (lbs)	Service Factor	FL Amps @ High	FL Eff. (%)	"C" Dimension (in)	Voltage (V)	Notes
1	0.75	1800	143/5JM	001180P3E143JMV-S	513	P1S	35.00	1.15	1.63	82.5	15.000	208-230/460	9;15;30
1.5	1.1	3600	143/5JM	001560P3E143JMV-S	542	P1S	34.00	1.15	1.88	82.5	15.000	208-230/460	9;15;30
		1800	143/5JM	001580P3E145JMV-S	554	P1S	48.00	1.15	2.10	84.0	15.354	208-230/460	9;15;30
2	1.5	3600	143/5JM	002360P3E145JMV-S	573	P1S	39.00	1.15	2.52	84.0	15.000	208-230/460	9;15;30
		1800	143/5JM	002180P3E145JMV-S	603	P1S	44.00	1.15	2.91	84.0	15.393	208-230/460	9;15;30
3	2.2	3600	143/5JM	003360P3E145JMV-S	657	P1S	42.00	1.15	3.69	84.0	15.393	208-230/460	9;15;30
		1800	182/4JM	003180P3E182JMV-S	687	P1S	61.00	1.15	4.04	86.5	16.752	208-230/460	9;15;30
		1200	213/5JMV	003120P3E213JMV-S	983	P1S	111.00	1.15	4.31	86.5	18.977	208-230/460	9;15;30
5	3.7	3600	182/4JM	005360P3E182JMV-S	797	P1S	60.00	1.15	6.24	85.5	16.752	208-230/460	9;15;30
		1800	182/4JM	005180P3E184JMV-S	875	P1S	73.00	1.15	6.47	87.5	17.933	208-230/460	9;15;30
		1200	215JMV	005120P3E215JMV-S	1,287	P1S	131.00	1.15	6.89	87.5	18.977	208-230/460	9;15;30
7.5	5.5	3600	182/4JM	007360P3E184JMV-S	993	P1S	70.00	1.15	8.86	87.5	17.559	208-230/460	9;15;30
		3600	182/4JM	007360P3H184JMV-S	993	P1S	70.00	1.15	7.09	87.5	17.559	208-230/460	9;15;30
		1800	213/5JM	007180P3E213JMV-S	1,106	P1S	112.00	1.15	9.29	88.5	18.977	208-230/460	9;15;30
10	7.5	3600	213/5JM	010360P3E213JMV-S	1,201	P1S	115.00	1.15	12.2	88.5	18.977	208-230/460	9;15;30
		3600	213/5JM	010360P3V213JMV-S	1,201	P1S	115.00	1.15	14.0	88.5	18.977	200/400	9;15;30
		1800	213/5JM	010180P3E215JMV-S	1,323	P1S	128.00	1.15	12.4	89.5	18.977	208-230/460	9;15;30
		1800	213/5JM	010180P3H215JMV-S	1,323	P1S	128.00	1.15	9.90	89.5	18.977	575	9;15;30
15	11	3600	213/5JM	015360P3E215JMV-S	1,617	P1S	128.00	1.15	17.5	89.5	19.370	208-230/460	9;15;30
		3600	213/5JM	015360P3H215JMV-S	1,617	P1S	128.00	1.15	14.0	89.5	19.370	575	9;15;30
20	15	3600	254/6JM	020360P3E254JMV-S	2,092	P1S	196.00	1.15	23.7	90.2	23.347	208-230/460	9;15;30
		3600	254/6JM	020360P3H254JMV-S	2,092	P1S	196.00	1.15	19.0	90.2	23.347	575	9;15;30
		3600	254/6JM	020360P3V254JMV-S	2,092	P1S	231.00	1.15	27.3	90.2	23.247	200/400	9;15;30
25	18.5	3600	254/6JM	025360P3E256JMV-S	2,352	P1S	219.00	1.15	29.0	91.0	23.347	208-230/460	9;15;30
		3600	254/6JM	025360P3H256JMV-S	2,352	P1S	219.00	1.15	23.2	91.0	23.347	575	9;15;30

Please refer to back cover for description of "NOTES"

For detailed specifications, data sheets, drawings and performance curves visit <http://catalog.wegelectric.com>

Data subject to change without notice.



## CLOSE-COUPLED PUMP THREE PHASE

### JP - ODP - Footless Vertical

HP	KW	RPM	Frame Size	Catalog Number	List Price	Mult. Symbol	Approx. Shipping Weight (lbs)	Service Factor	FL Amps @ High	FL Eff. (%)	"C" Dimension (in)	Voltage (V)	Notes
1.5	1.1	3600	143/5JP	001560P3E143JPV-S	513	P1S	34.00	1.15	1.88	82.5	18.071	208-230/460	9;15;30
2	1.5	3600	143/5JP	002360P3E145JPV-S	559	P1S	39.00	1.15	2.52	84.0	18.071	208-230/460	9;15;30
3	2.2	3600	143/5JP	003360P3E145JPV-S	629	P1S	42.00	1.15	3.69	84.0	18.464	208-230/460	9;15;30
5	3.7	3600	182/4JP	005360P3E182JPV-S	729	P1S	60.00	1.15	6.24	85.5	19.823	208-230/460	9;15;30
7.5	5.5	3600	182/4JP	007360P3E184JPV-S	993	P1S	70.00	1.15	8.86	87.5	20.630	208-230/460	9;15;30
		3600	182/4JP	007360P3V184JPV-S	993	P1S	70.00	1.15	10.2	87.5	20.630	200/400	9;15;30
		1200	254/6JPV	007120P3E254JPV-S	1,928	P1S	229.00	1.15	10.8	88.5	26.221	208-230/460	9;15;30
10	7.5	3600	213/5JP	010360P3E213JPV-S	1,273	P1S	115.00	1.15	12.2	88.5	22.835	208-230/460	9;15;30
		3600	213/5JP	010360P3H213JPV-S	1,273	P1S	115.00	1.15	9.80	88.5	22.835	575	9;15;30
		3600	213/5JP	010360P3V213JPV-S	1,273	P1S	115.00	1.15	14.1	88.5	22.835	200/400	9;15;30
15	11	3600	213/5JP	015360P3E215JPV-S	1,617	P1S	128.00	1.15	17.5	89.5	23.229	208-230/460	9;15;30
		3600	213/5JP	015360P3H215JPV-S	1,617	P1S	128.00	1.15	14.0	89.5	23.229	575	9;15;30
		3600	213/5JP	015360P3V215JPV-S	1,617	P1S	128.00	1.15	20.2	89.5	23.229	200/400	9;15;30
		3600	213/5JP	015360T3E215JPV-S	1,914	P1S	139.00	1.15	17.2	91.0	21.240	208-230/460	9;15;30
		1800	254/6JP	015180P3V254JPV-S	1,938	P1S	197.00	1.15	21.28	91.0	26.221	208-230/460	9;15;30
20	15	3600	254/6JP	020360P3E254JPV-S	2,092	P1S	196.00	1.15	23.7	90.2	26.221	208-230/460	9;15;30
		3600	254/6JP	020360P3H254JPV-S	2,092	P1S	196.00	1.15	19.0	90.2	26.221	575	9;15;30
		3600	254/6JP	020360P3V254JPV-S	2,092	P1S	196.00	1.15	27.3	90.2	26.221	200/400	9;15;30
		3600	254/6JP	020360T3E254JPV-S	2,814	P1S	205.00	1.15	23.8	91.0	26.221	208-230/460	9;15;30
25	18.5	3600	254/6JP	025360P3E256JPV-S	2,518	P1S	219.00	1.15	29.0	91.0	26.221	208-230/460	9;15;30
		3600	254/6JP	025360P3H256JPV-S	2,518	P1S	219.00	1.15	23.2	91.0	26.221	575	9;15;30
		3600	254/6JP	025360P3V256JPV-S	2,518	P1S	219.00	1.15	33.3	91.0	26.221	200/400	9;15;30

Please refer to back cover for description of "NOTES"

For detailed specifications, data sheets, drawings and performance curves visit <http://catalog.wegelectric.com>

Data subject to change without notice.



CLOSE-COUPLED PUMP THREE PHASE

JM - ODP - AEGIS® Ring

HP	KW	RPM	Frame Size	Catalog Number	List Price	Mult. Symbol	Approx. Shipping Weight (lbs)	Service Factor	FL Amps @ High	FL Eff. (%)	"C" Dimension (in)	Voltage (V)	Notes
1	0.75	1800	143/5JM	<a href="#">001180T3E143JM-SG</a>	626	P1S	39.00	1.15	1.51	85.5	13.701	208-230/460	9;11;34
		1800	143/5JM	<a href="#">001180T3H143JM-SG</a>	626	P1S	39.00	1.15	1.21	85.5	13.701	575	9;11;34
1.5	1.1	3600	143/5JM	<a href="#">001560T3E143JM-SG</a>	674	P1S	34.00	1.15	1.85	84.0	13.701	208-230/460	9;11;34
		3600	143/5JM	<a href="#">001560T3H143JM-SG</a>	674	P1S	34.00	1.15	1.48	84.0	13.701	575	9;11;34
		1800	143/5JM	<a href="#">001580T3E145JM-SG</a>	693	P1S	47.00	1.15	2.07	86.5	14.488	208-230/460	9;11;34
		1800	143/5JM	<a href="#">001580T3H145JM-SG</a>	693	P1S	47.00	1.15	1.66	86.5	14.488	575	9;11;34
2	1.5	1800	143/5JM	<a href="#">002180T3E145JM-SG</a>	747	P1S	44.00	1.15	2.69	86.5	14.488	208-230/460	9;11;34
		1800	143/5JM	<a href="#">002180T3H145JM-SG</a>	747	P1S	44.00	1.15	2.15	86.5	13.701	575	9;11;34
		3600	143/5JM	<a href="#">002360T3E145JM-SG</a>	720	P1S	42.00	1.15	2.42	85.5	14.094	208-230/460	9;11;34
		3600	143/5JM	<a href="#">002360T3H145JM-SG</a>	720	P1S	42.00	1.15	1.94	85.5	14.094	575	9;11;34
		3600	143/5JM	<a href="#">002360T3V145JM-SG</a>	720	P1S	42.00	1.15	2.78	85.5	14.094	200/400	9;11;34
3	2.2	1800	182/4JM	<a href="#">003180T3E182JM-SG</a>	835	P1S	73.00	1.15	3.86	89.5	16.634	208-230/460	9;11;34
		1800	182/4JM	<a href="#">003180T3H182JM-SG</a>	835	P1S	73.00	1.15	3.09	89.5	16.634	575	9;11;34
		1800	182/4JM	<a href="#">003180T3V182JM-SG</a>	835	P1S	73.00	1.15	4.43	89.5	16.634	200/400	9;11;34
		3600	143/5JM	<a href="#">003360T3E145JM-SG</a>	800	P1S	45.00	1.15	3.59	85.5	14.488	208-230/460	9;11;34
		3600	143/5JM	<a href="#">003360T3H145JM-SG</a>	800	P1S	45.00	1.15	2.87	85.5	14.488	575	9;11;34
		3600	143/5JM	<a href="#">003360T3V145JM-SG</a>	800	P1S	45.00	1.15	4.13	85.5	14.488	200/400	9;11;34
5	3.7	1800	182/4JM	<a href="#">005180T3E184JM-SG</a>	1,019	P1S	87.00	1.15	6.33	89.5	17.815	208-230/460	9;11;34
		1800	182/4JM	<a href="#">005180T3H184JM-SG</a>	1,019	P1S	87.00	1.15	5.06	89.5	17.815	575	9;11;34
		3600	182/4JM	<a href="#">005360T3E182JM-SG</a>	962	P1S	66.00	1.15	6.10	86.5	16.260	208-230/460	9;11;34
		3600	182/4JM	<a href="#">005360T3H182JM-SG</a>	962	P1S	66.00	1.15	4.88	86.5	16.260	575	9;11;34
		3600	182/4JM	<a href="#">005360T3V182JM-SG</a>	962	P1S	66.00	1.15	7.02	86.5	16.260	200/400	9;11;34
7.5	5.5	1800	213/5JM	<a href="#">007180T3E213JM-SG</a>	1,320	P1S	128.00	1.15	9.14	91.0	17.717	208-230/460	9;11;34
		1800	213/5JM	<a href="#">007180T3H213JM-SG</a>	1,320	P1S	128.00	1.15	7.31	91.0	17.717	575	9;11;34
		3600	182/4JM	<a href="#">007360T3E184JM-SG</a>	1,256	P1S	77.00	1.15	8.67	88.5	16.634	208-230/460	9;11;34
		3600	182/4JM	<a href="#">007360T3H184JM-SG</a>	1,256	P1S	77.00	1.15	6.93	88.5	16.634	575	9;11;34
10	7.5	1800	213/5JM	<a href="#">010180T3E215JM-SG</a>	1,566	P1S	149.00	1.15	12.4	91.7	18.898	208-230/460	9;11;34
		1800	213/5JM	<a href="#">010180T3H215JM-SG</a>	1,566	P1S	149.00	1.15	9.90	91.7	18.898	575	9;11;34
		3600	213/5JM	<a href="#">010360T3E213JM-SG</a>	1,489	P1S	128.00	1.15	12.0	89.5	18.110	208-230/460	9;11;34
		3600	213/5JM	<a href="#">010360T3H213JM-SG</a>	1,489	P1S	128.00	1.15	9.60	89.5	18.110	575	9;11;34
15	11	1800	254/6JM	<a href="#">015180T3E254JM-SG</a>	2,275	P1S	220.00	1.15	18.3	93.0	21.969	208-230/460	9;11;34
		1800	254/6JM	<a href="#">015180T3H254JM-SG</a>	2,275	P1S	220.00	1.15	14.7	93.0	21.969	575	9;11;34
		3600	213/5JM	<a href="#">015360T3E215JM-SG</a>	1,907	P1S	143.00	1.15	17.2	90.2	18.898	208-230/460	9;11;34
		3600	213/5JM	<a href="#">015360T3H215JM-SG</a>	1,907	P1S	143.00	1.15	13.8	90.2	18.898	575	9;11;34
20	15	1800	254/6JM	<a href="#">020180T3E256JM-SG</a>	2,693	P1S	243.00	1.15	24.7	93.0	21.969	208-230/460	9;11;34
		1800	254/6JM	<a href="#">020180T3H256JM-SG</a>	2,693	P1S	243.00	1.15	19.7	93.0	21.969	575	9;11;34
		3600	254/6JM	<a href="#">020360T3E254JM-SG</a>	2,387	P1S	196.00	1.15	23.8	91.0	21.969	208-230/460	9;11;34
		3600	254/6JM	<a href="#">020360T3H254JM-SG</a>	2,387	P1S	196.00	1.15	19.0	91.0	21.969	575	9;11;34
25	18.5	3600	254/6JM	<a href="#">025360T3E256JM-SG</a>	2,879	P1S	219.00	1.15	29.1	91.7	21.969	208-230/460	9;11;34
		3600	254/6JM	<a href="#">025360T3H256JM-SG</a>	2,879	P1S	219.00	1.15	23.3	91.7	21.969	575	9;11;34

Please refer to back cover for description of "NOTES"

For detailed specifications, data sheets, drawings and performance curves visit <http://catalog.wegelectric.com>

Data subject to change without notice.



## CLOSE-COUPLED PUMP THREE PHASE

### JP - ODP - AEGIS® Ring

HP	KW	RPM	Frame Size	Catalog Number	List Price	Mult. Symbol	Approx. Shipping Weight (lbs)	Service Factor	FL Amps @ High	FL Eff. (%)	"C" Dimension (in)	Voltage (V)	Notes
1	0.75	1800	143/5JP	<b>001180T3E143JP-SG</b>	<b>626</b>	P1S	39.00	1.15	1.51	85.5	16.772	208-230/460	9;11;34
1.5	1.1	3600	143/5JP	<b>001560T3E143JP-SG</b>	<b>674</b>	P1S	34.00	1.15	1.85	84.0	16.772	208-230/460	9;11;34
		1800	143/5JP	<b>001580T3E145JP-SG</b>	<b>693</b>	P1S	47.00	1.15	2.07	86.5	17.559	208-230/460	9;11;34
2	1.5	1800	143/5JP	<b>002180T3E145JP-SG</b>	<b>747</b>	P1S	44.00	1.15	2.69	86.5	17.559	208-230/460	9;11;34
		3600	143/5JP	<b>002360T3E145JP-SG</b>	<b>720</b>	P1S	42.00	1.15	2.42	85.5	17.165	208-230/460	9;11;34
3	2.2	1800	182/4JP	<b>003180T3E182JP-SG</b>	<b>835</b>	P1S	73.00	1.15	3.86	89.5	19.705	208-230/460	9;11;34
		3600	143/5JP	<b>003360T3E145JP-SG</b>	<b>800</b>	P1S	45.00	1.15	3.59	85.5	17.559	208-230/460	9;11;34
5	3.7	1800	182/4JP	<b>005180T3E184JP-SG</b>	<b>1,019</b>	P1S	87.00	1.15	6.33	89.5	20.886	208-230/460	9;11;34
		3600	182/4JP	<b>005360T3E182JP-SG</b>	<b>962</b>	P1S	66.00	1.15	6.10	86.5	19.331	208-230/460	9;11;34
7.5	5.5	1800	213/5JP	<b>007180T3E213JP-SG</b>	<b>1,320</b>	P1S	128.00	1.15	9.14	91.0	21.575	208-230/460	9;11;34
		1800	213/5JP	<b>007180T3H213JP-SG</b>	<b>1,320</b>	P1S	128.00	1.15	7.31	91.0	21.575	575	9;11;34
		1800	213/5JP	<b>007180T3V213JP-SG</b>	<b>1,320</b>	P1S	128.00	1.15	10.5	91.0	21.575	200/400	9;11;34
		3600	182/4JP	<b>007360T3E184JP-SG</b>	<b>1,256</b>	P1S	77.00	1.15	8.67	88.5	19.705	208-230/460	9;11;34
10	7.5	1800	213/5JP	<b>010180T3E215JP-SG</b>	<b>1,566</b>	P1S	149.00	1.15	12.4	91.7	22.756	208-230/460	9;11;34
		1800	213/5JP	<b>010180T3H215JP-SG</b>	<b>1,566</b>	P1S	149.00	1.15	9.90	91.7	22.756	575	9;11;34
		1800	213/5JP	<b>010180T3V215JP-SG</b>	<b>1,566</b>	P1S	149.00	1.15	14.2	91.7	22.756	200/400	9;11;34
		3600	213/5JP	<b>010360T3E213JP-SG</b>	<b>1,489</b>	P1S	128.00	1.15	12.0	89.5	21.969	208-230/460	9;11;34
		3600	213/5JP	<b>010360T3H213JP-SG</b>	<b>1,489</b>	P1S	128.00	1.15	9.60	89.5	21.969	575	9;11;34
15	11	1800	254/6JP	<b>015180T3E254JP-SG</b>	<b>2,275</b>	P1S	220.00	1.15	18.3	93.0	24.843	208-230/460	9;11;34
		3600	213/5JP	<b>015360T3E215JP-SG</b>	<b>1,907</b>	P1S	143.00	1.15	17.2	90.2	22.756	208-230/460	9;11;34
		3600	213/5JP	<b>015360T3H215JP-SG</b>	<b>1,907</b>	P1S	143.00	1.15	13.8	90.2	22.756	575	9;11;34
20	15	1800	254/6JP	<b>020180T3E256JP-SG</b>	<b>2,693</b>	P1S	243.00	1.15	24.7	93.0	24.843	208-230/460	9;11;34
		3600	254/6JP	<b>020360T3E254JP-SG</b>	<b>2,387</b>	P1S	196.00	1.15	23.8	91.0	24.843	208-230/460	9;11;34
25	18.5	3600	254/6JP	<b>025360T3E256JP-SG</b>	<b>2,879</b>	P1S	219.00	1.15	29.1	91.7	24.843	208-230/460	9;11;34

Please refer to back cover for description of "NOTES"

For detailed specifications, data sheets, drawings and performance curves visit <http://catalog.wegelectric.com>

Data subject to change without notice.

- Models in green text are NEMA Premium compliant
- Shaded models are being discontinued once inventory is depleted

1	1.0 Service Factor
2	Aluminum Frame with Removable Feet
3	Automatic Reset Thermal Overload Protector
4	Manual Reset Thermal Overload Protector
5	CCW Rotation Viewed from Shaft End - Non Reversible
6	Compressor Duty
7	F2 Mount
8	F3 Mount
9	Rolled Steel Frame
10	Not Thermally Protected
11	Product Might Not be Available in Stock
12	Reduced Frame
13	Resilient Base
14	Roller Bearing
15	Round Body - Drip Cover Included
16	Split-Phase Motor
17	TENV - Totally Enclosed Non Ventilated
18	Z-Frame; Bigger Shaft Diameter and Bearings
19	105K Tempature Rise
20	Round Body - Drip Cover NOT Included
21	Stainless Steel Body
22	Two Speed - Double Windings
23	Two Speed - Single Winding
24	Not readily available. Usually ships in two weeks
25	Brake rectifier suitable for 230VAC
26	Brake rectifier suitable for 460VAC
27	For Export Only. Non-compliant with Energy Independence & Security Act of 2007 (EISA 2007)
28	ODP Fan Cooled
29	Standard Efficiency
30	High Efficiency (EPACT)
31	Rating is suitable for 1.0SF @ 50Hz. Also suitable for next lower HP @ 1.15SF 50Hz
32	Suitable for 1.15SF @ 50°C ambient
33	Suitable for 380V 60Hz when wired as YY (double WYE)
34	AEGIS® Installed
35	AEGIS® ring installation reduces the available "N-W" length
36	Super Premium
37	Design A



WEG Electric Corp.  
6655 Sugarloaf Parkway  
Duluth, GA 30097  
Phone: 1-800-ASK-4WEG (275-4934)  
[www.weg.net/us](http://www.weg.net/us)

Please contact your authorized distributor:

USA:RS.2015